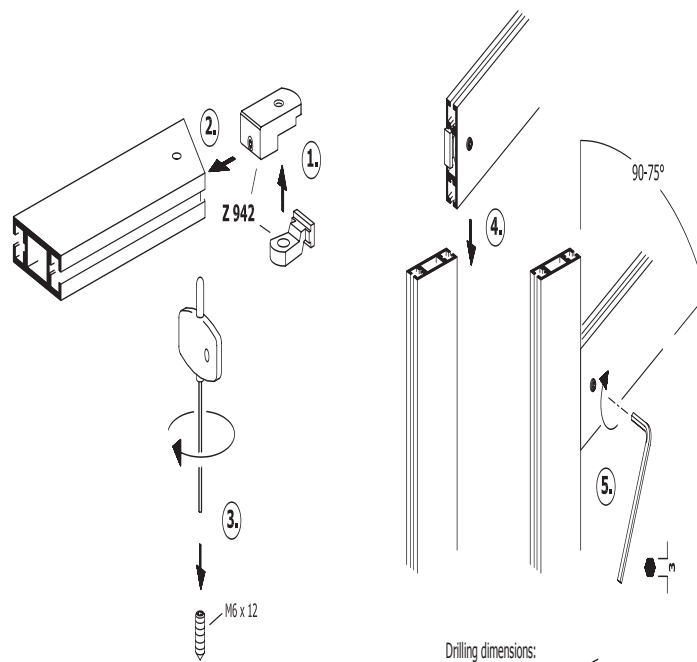


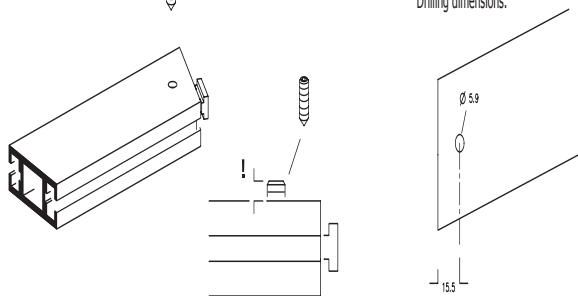
DRILLING DIMENSIONS AND ASSEMBLY INSTRUCTIONS FOR Z 942

TECHNICAL INFORMATION / TIMB-Z 9.0



TIMB-Z 9.0 EW 2/862-00 21.07.06, 06e2.H18

Drilling dimensions:



THE
WORLD
OF
SYSTEMS

OCTANORM 

Errors and technical modifications reserved