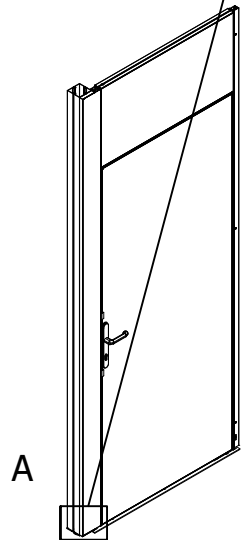
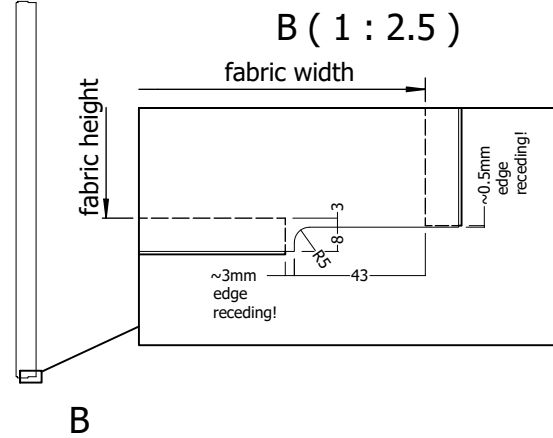
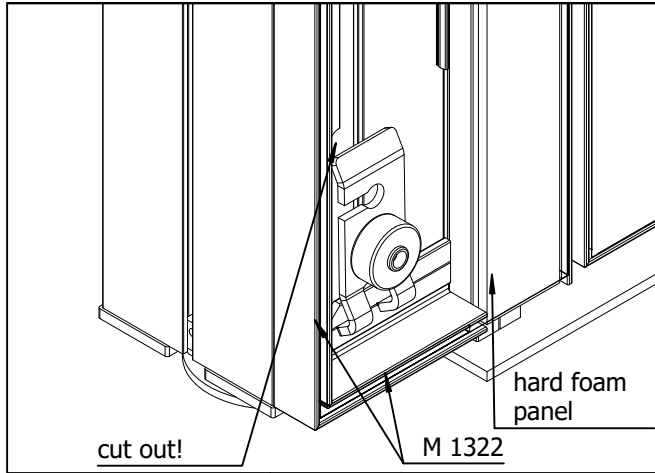


A ( 1 : 2.5 ) detail



INFORMATION on fabric  
extended fabric over upright M 1020

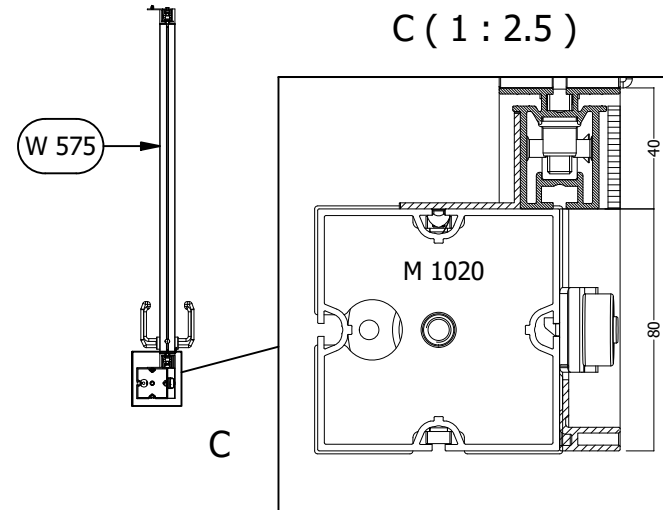
fabric width: = frame width (40 mm + 80 mm)

fabric height: = frame height/upright height

(Make sure to cut out corners!)

IMPORTANT:  
We recommend to use only elastic fabrics and test them in advance  
with the frames!

All dimensions in mm!  
The drawing with dimensions remains basically valid!



suitable for W 575

All dimensions  
in mm!