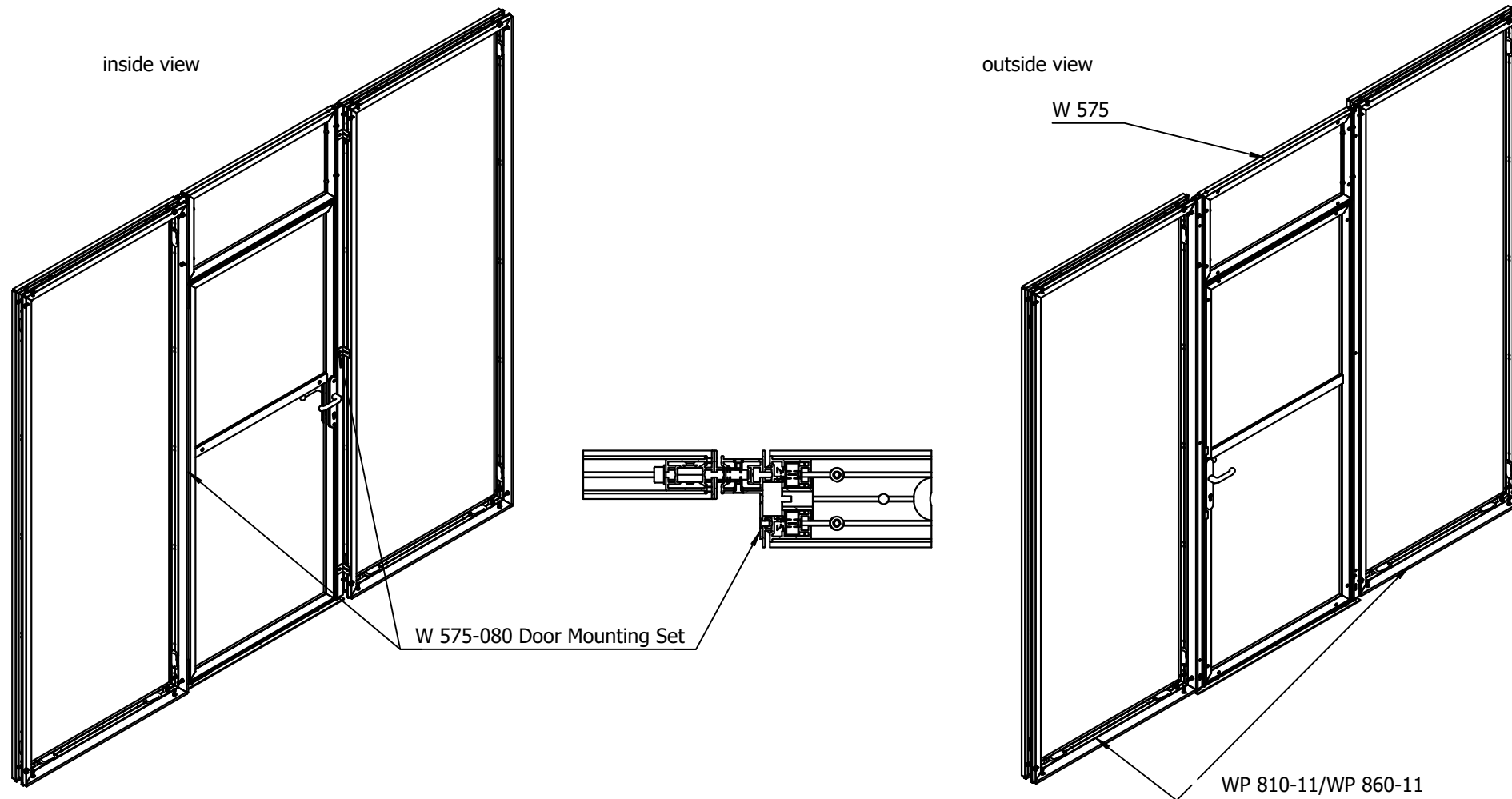


Installation of Door W 575 with Door Mounting Set W 575-080

W 575 can be mounted DIN right and left.



Installation of door W 575 with Door Mounting Set W 575-080 is to be planned with adjustable feet WP 80-3 in octawall pro frames.

All dimensions in mm!
The drawing with dimensions basically remains valid!