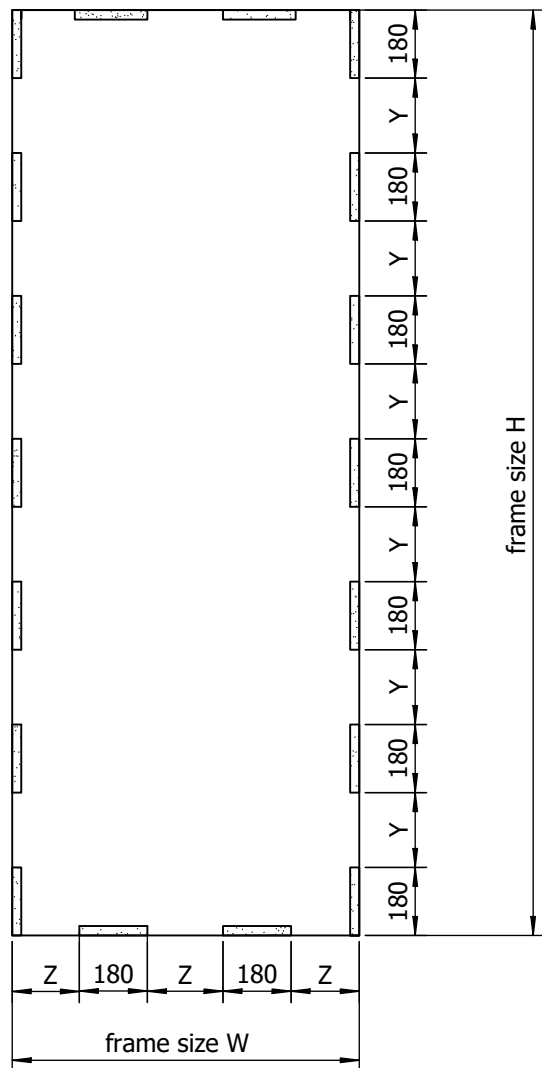
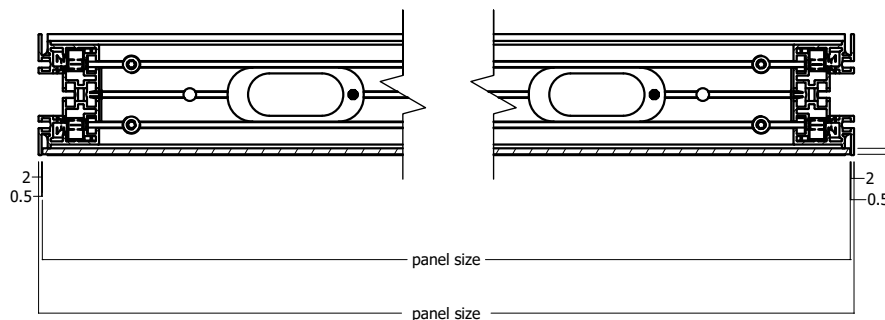


**Loop Tape Requirements**



**Panel Size**

octawall pro panel



Width: frame size - 5 mm (1 mm gap calculated)  
 Height: frame size - 6 mm (2 mm gap calculated)

eg. Loop Tape Requirements (mm)		
	H: 500	H: 950
W: 500	1440	2160
W: 1000	2160	2880
W: 1500	2880	3600

\* The lengths indicated for the loop tape are also valid for similar frame sizes.

Loop tape requirements are calculated for a double-sided fitting of the frame with panels.

All dimensions in mm!  
 The drawing with dimensions basically remains valid!