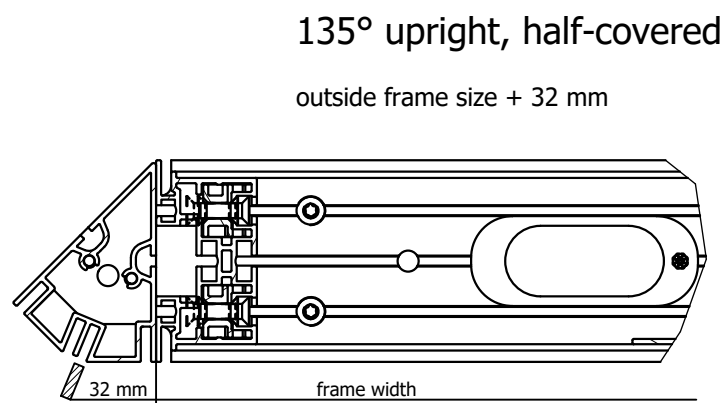
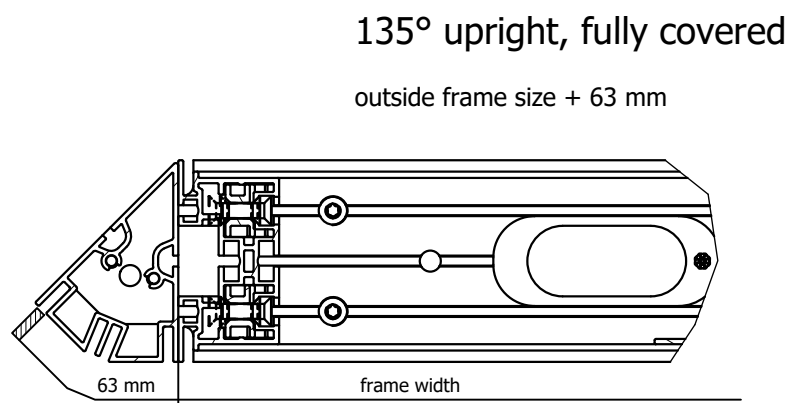
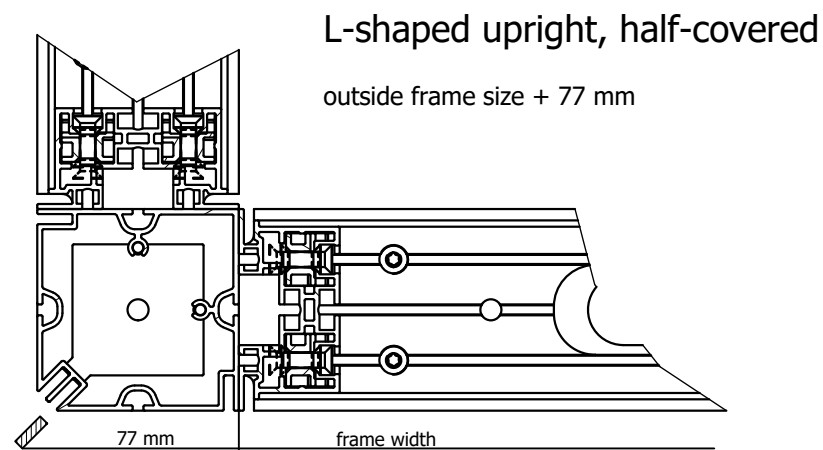
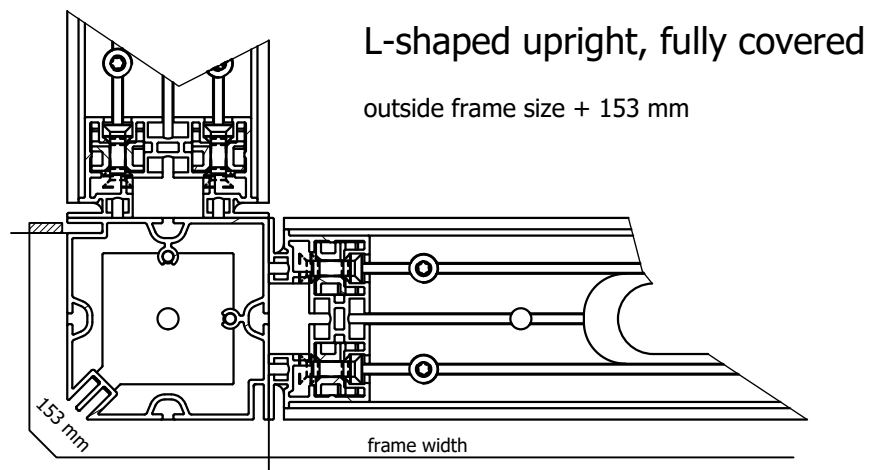


vertical fabric dim. = outside frame height horizontal fabric dim. = outside frame width + upright cover dim. (see drawing).

At the 90° and 135° uprights, the silicone edge is to be cut out horizontally so that it does not to overlap.



All dimensions in mm!
The drawing remains basically valid!