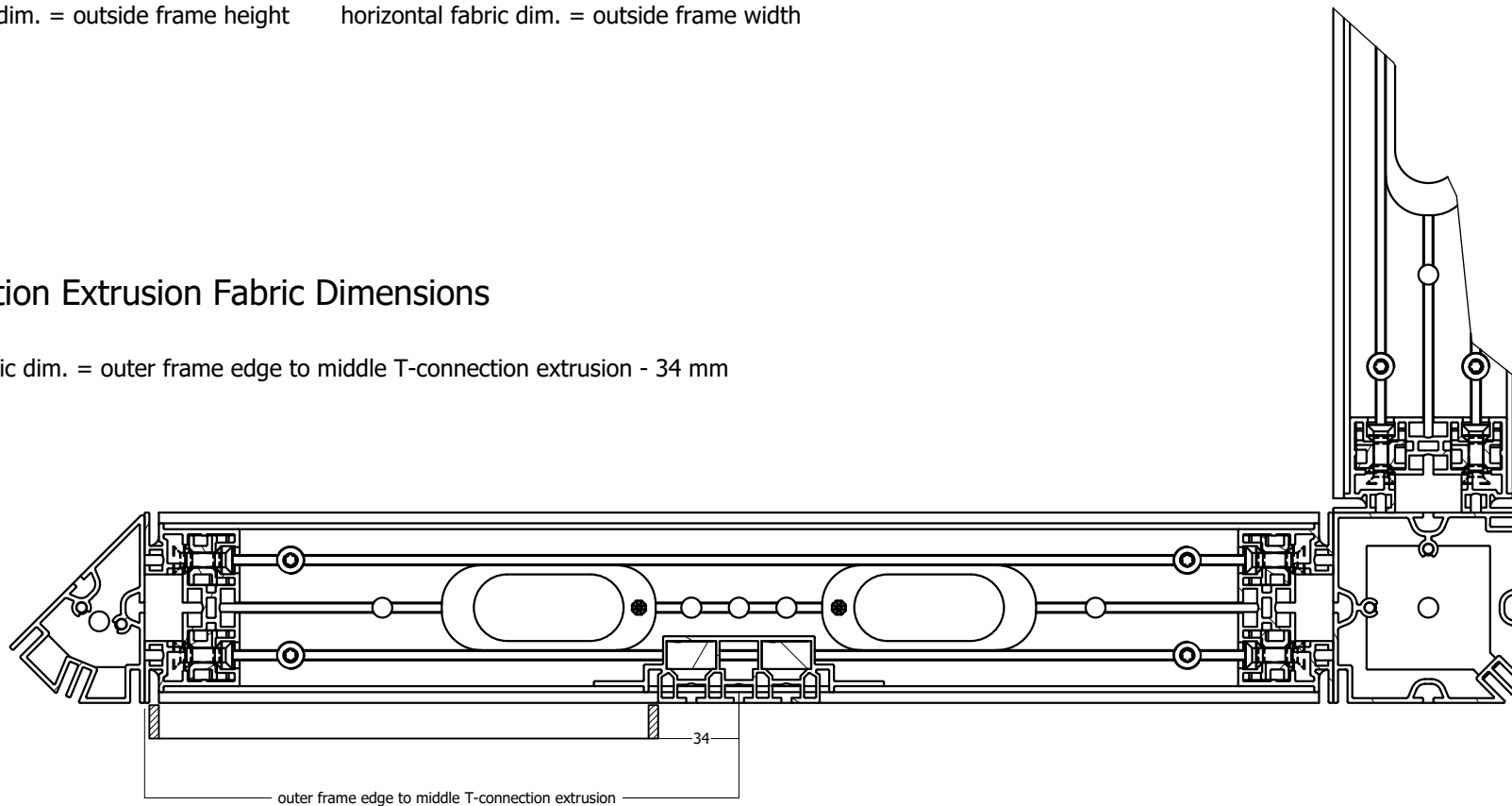


OCTAwall pro Definition Fabric Dimension for T-Connection WP 820

vertical fabric dim. = outside frame height horizontal fabric dim. = outside frame width

T-Connection Extrusion Fabric Dimensions

horizontal fabric dim. = outer frame edge to middle T-connection extrusion - 34 mm



All dimensions in mm!
The drawing remains basically valid!