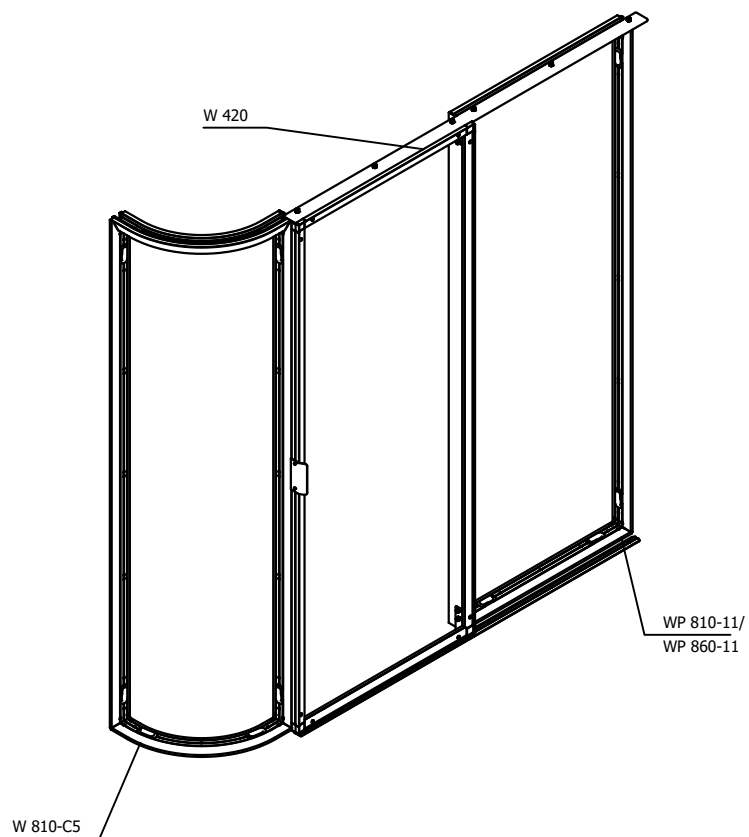
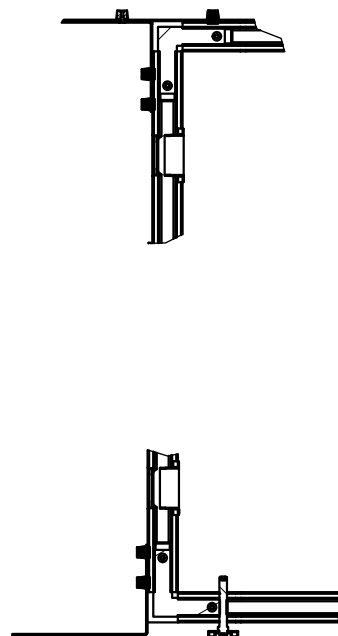


Installation of W 420 sliding door in an octawall pro wall (suitable for octawall pro frames from a width of 950 mm to opening side)

octawall pro

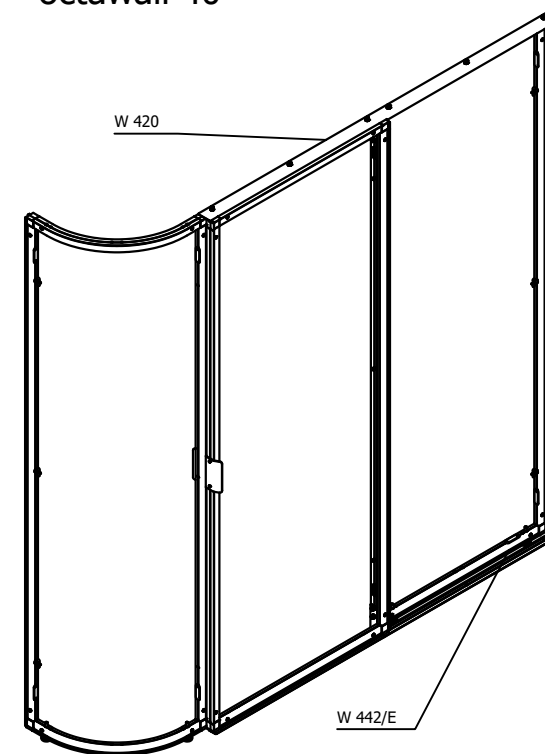


The W 420 sliding door is installed using OL 252 fixing sets. These are on the floor rail W 420-8, the ceiling rail W 420-9 and the guide rail W 420-7 and are mounted in the grooves of the surrounding frames.



Installation of W 420 sliding door in an octawall 40 wall (suitable for octawall 40 frames from a width of 950 mm to opening side)

octawall 40



The W 420 sliding door can be used in 4 different ways: inside, outside, and opening to the right or left.