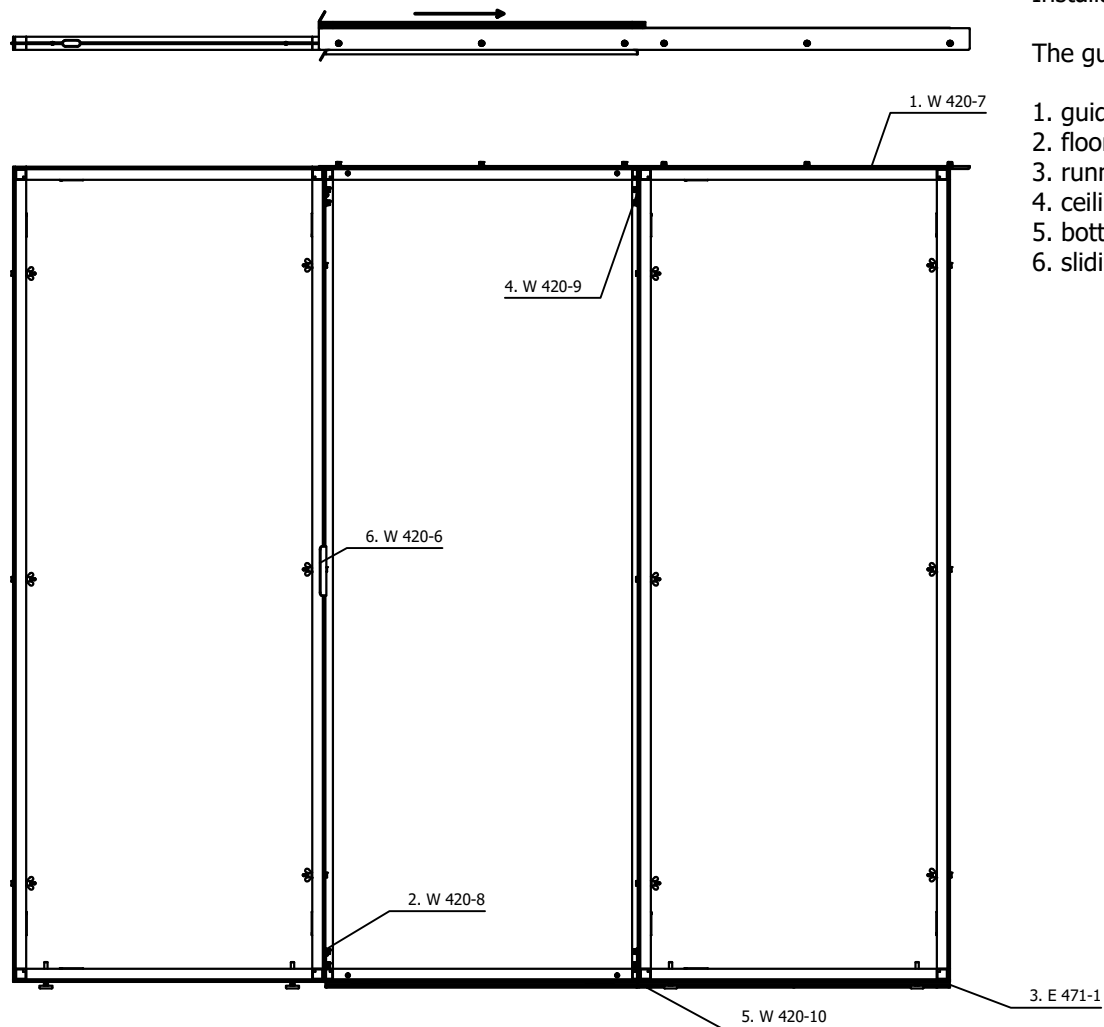


Variant 4: Sliding door opening behind the wall. Door stop on the right.



Installation as sliding door opening behind the wall. Door stop on the right.

The guide consists of the following parts:

1. guide rail W 420-7
2. floor rail W 420-8
3. runner extrusion E 471-1
4. ceiling rail W 420-9
5. bottom plate W 420-10
6. sliding door handle W 420-6

