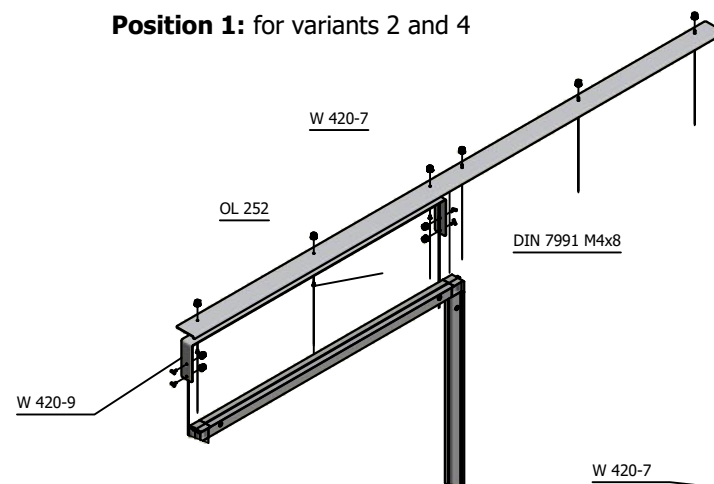


Mounting of the guide rail W 420-7 with ceiling rail W 420-9.

The guide rail W 420-7 is screwed to the ceiling rail W 420-9 with 3 screws DIN 7991 M4x8 and 3 knurled nuts OL 252.

The ceiling rail W 420-9 can be screwed to the guide rail W 420-7 in two different positions.

Position 1: for variants 2 and 4



Position 2: for variants 1 and 3

