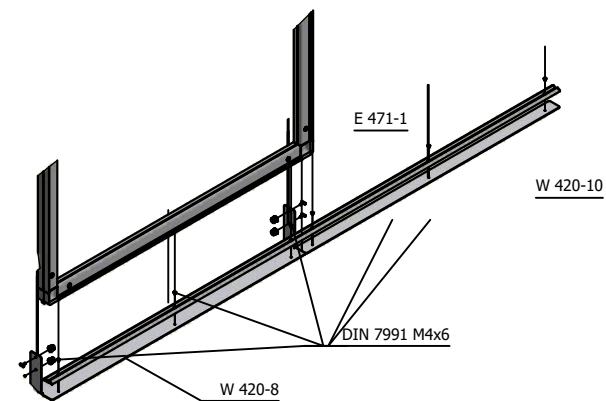


Mounting of bottom rail W 420-8 and bottom plate W 420-10 with runner extrusion E 471-1.

The bottom rail W 420-8 and the bottom plate W 420-10 are screwed to the E 471-1 runner extrusion with 6 DIN 7991 M4x6 screws.

The bottom rail W 420-8 and the bottom plate W 420-10 can be screwed to the E 471-1 runner profile in two different positions.

**Position 1:** for variants 2 and 4



**Position 2:** for variants 1 and 3

