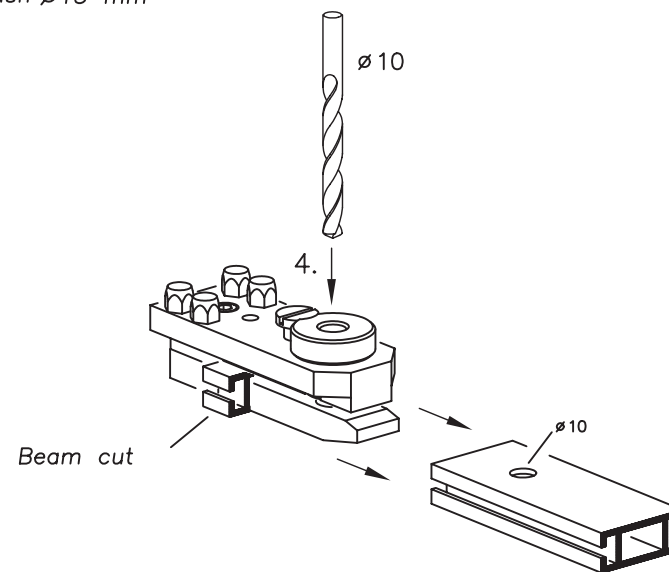
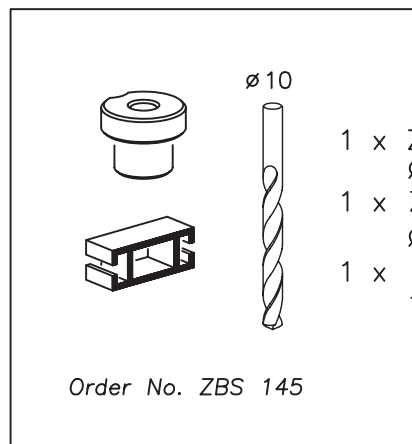
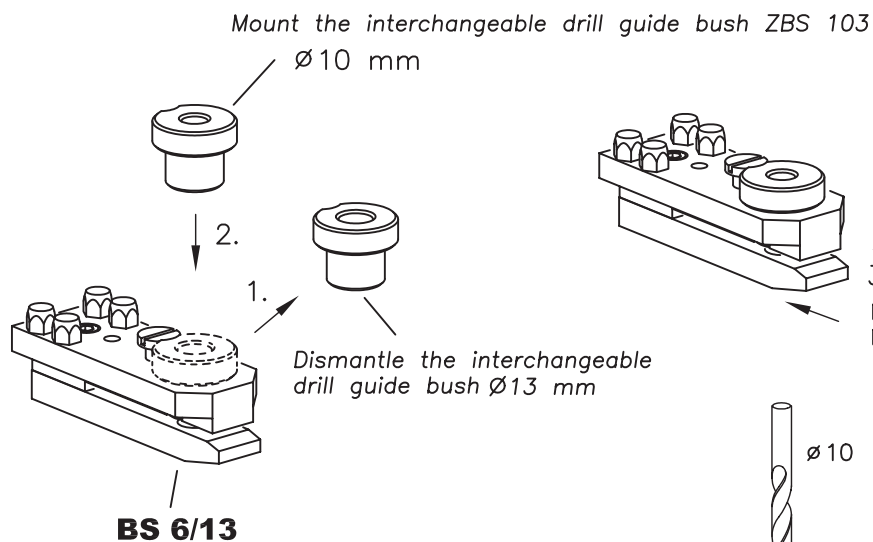
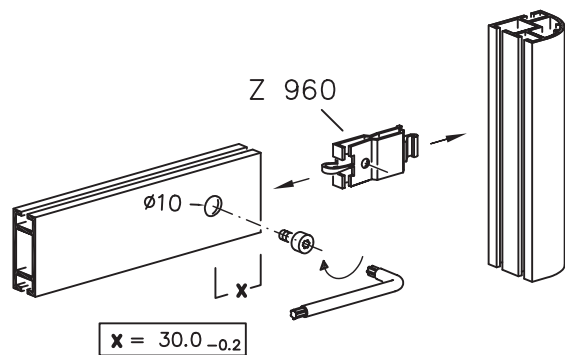


Mounting instruction for tension lock (Z 960)

TI-NL-102

technical information



TI NL-102 EW 2039 26.11.01/HB geä. 15.12.04/HB 09/05 SHIFT