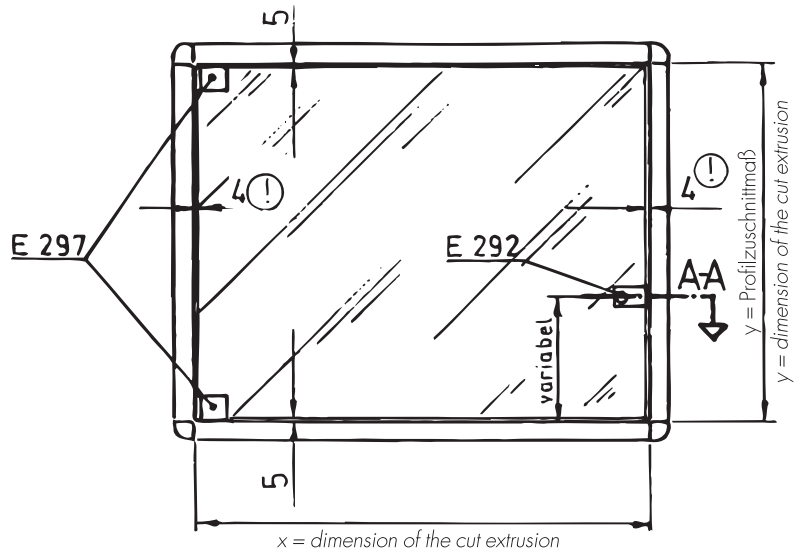


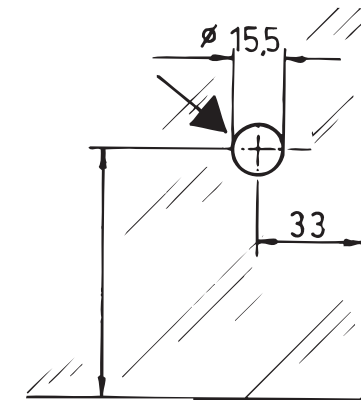
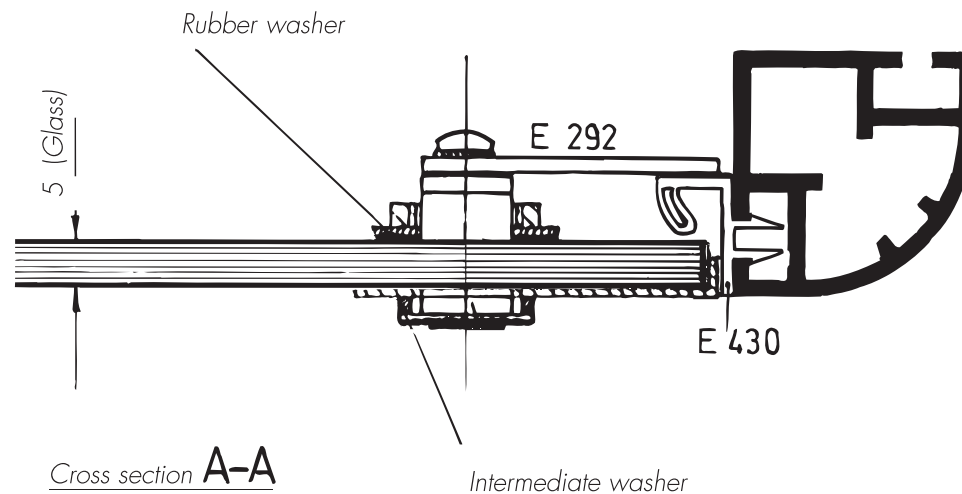
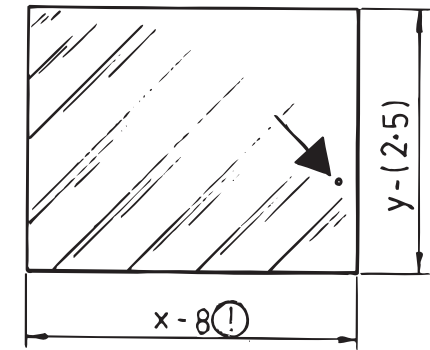
System parts used: E 297, E 292, E 430 (drawing per DIN left)



Recommendation for glass thickness: 5 mm (max. 6 mm)

Notes on max. door dimensions (glass measurements) see page 4.1

Glass door dimensions



Top/bottom door side

Attention!  
Amended 1/92

TI NL-13 09/05 SHIFT