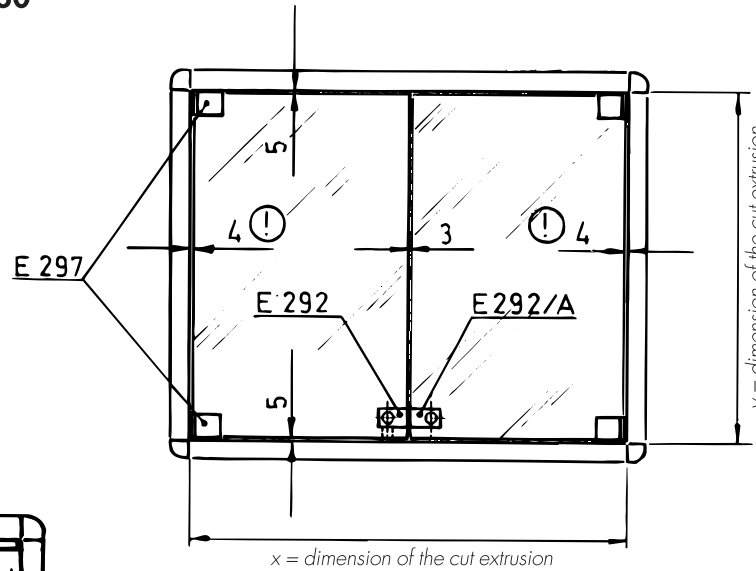
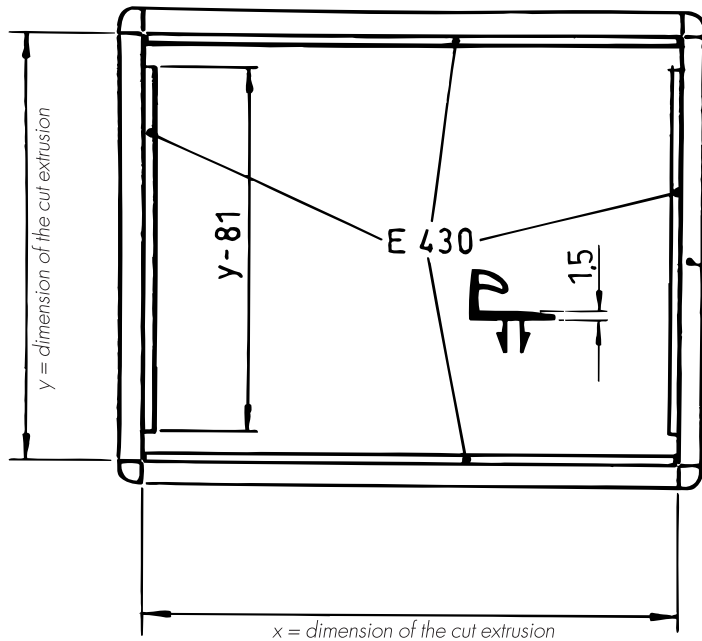


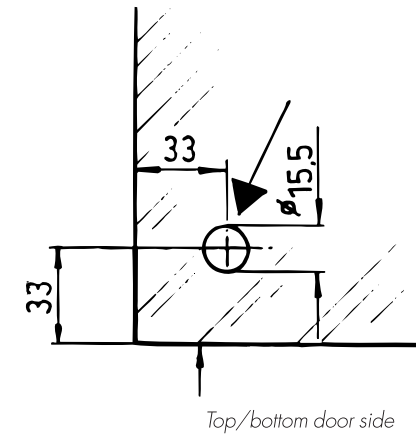
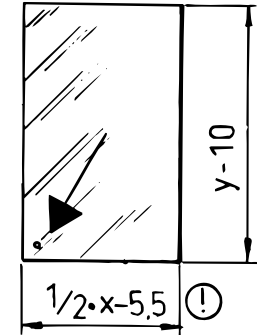
**System parts used: E 297, E 292, E 292/A, E 430**

Recommendation for glass thickness: 5mm (max. 6mm)

Notes on max. door dimensions  
(glass measurements) see page 4.1



Glass door dimensions



Cutting dimensions/E 430:  
2 pcs. length  $x$   
2 pcs. length  $y-81$

⚠ Attention!  
Amended 8/91