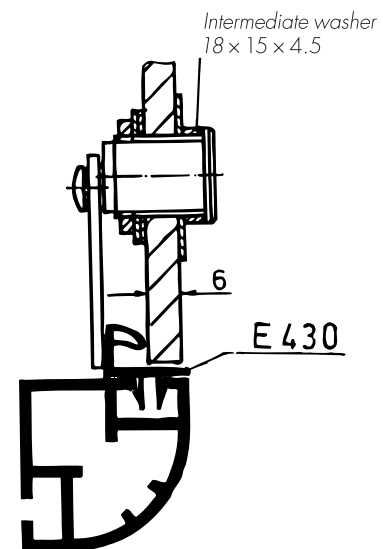
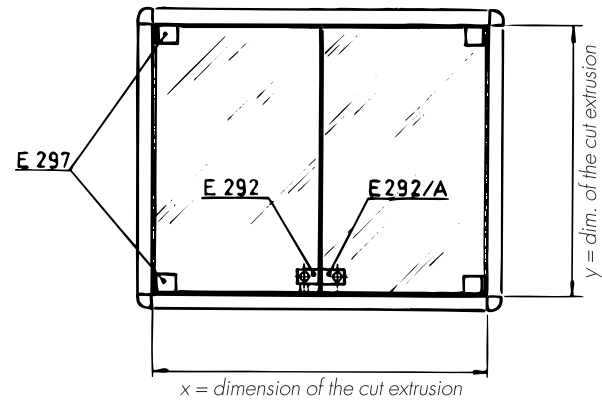
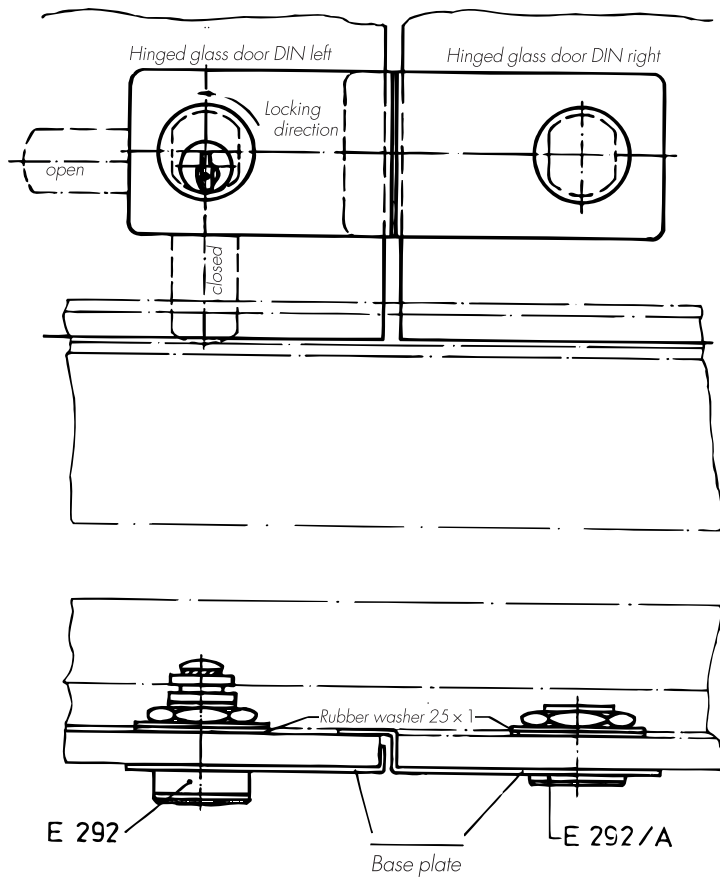


Mounting instructions: Locking of a double-leaf hinged glass door

TI-NL-16

technical information

Detail: Lever bolt lock E 292



TI NL-16 09/05 SHIFT