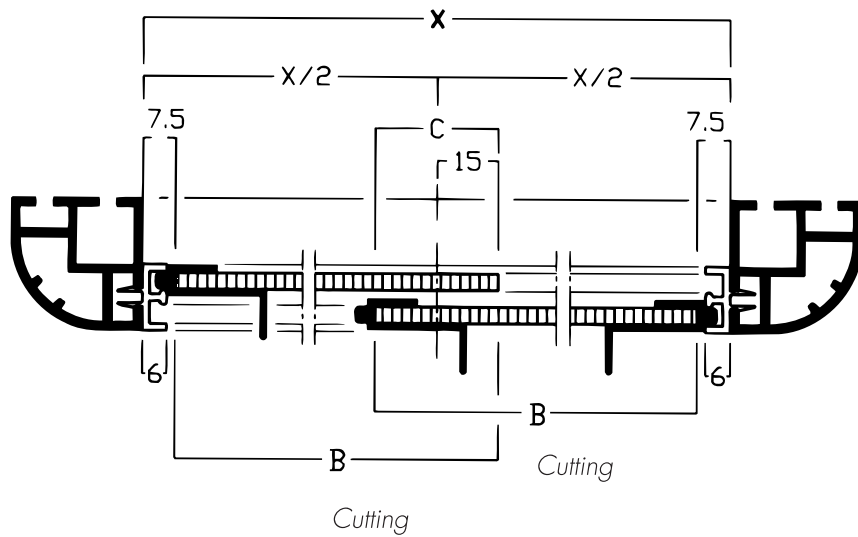


in Conjunction with Sliding Door Extrusions E 400 + E 401 + E 410, E 410/AL

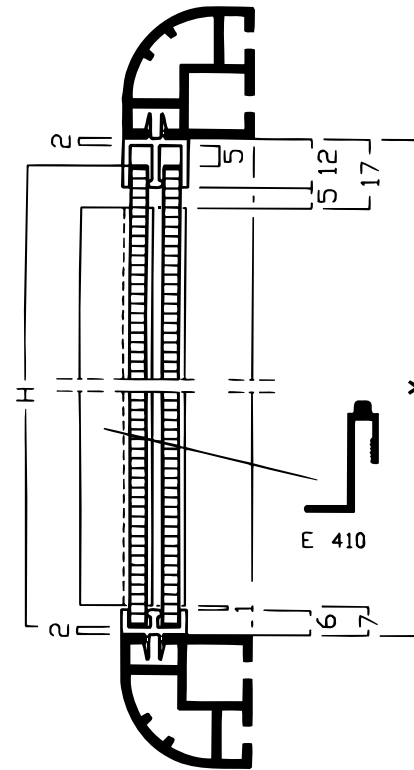


Sliding doors 4 mm – wood, C = 30 mm

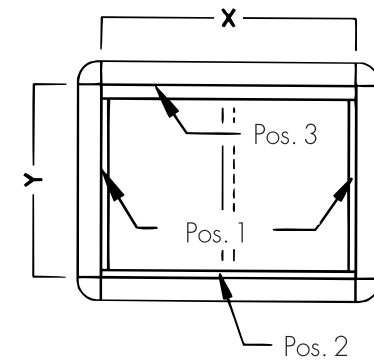
Sliding door width
Cutting $B = \frac{X}{2} + 7.5$

Sliding door height
Cutting $H = Y - 9$

(Door can be installed/
removed later)



Cutting E 410 = Y - 24



Pos. 1
Length E 401 = Y - 18
Pos. 2
Length E 401 = X
Pos. 3
Length E 401 = X