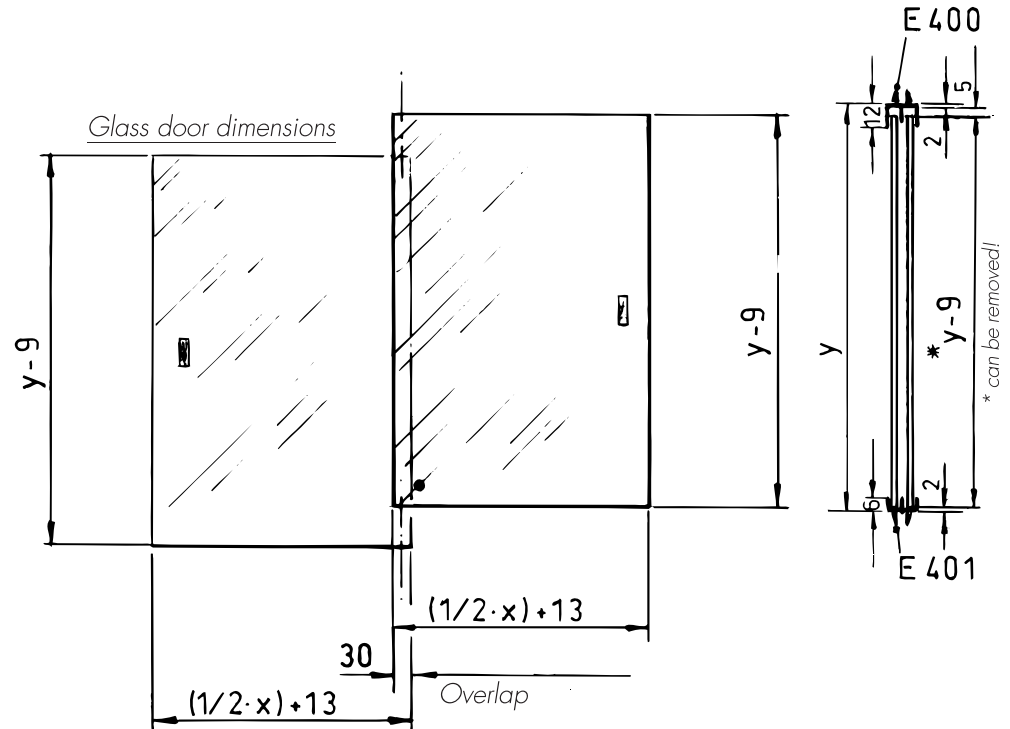
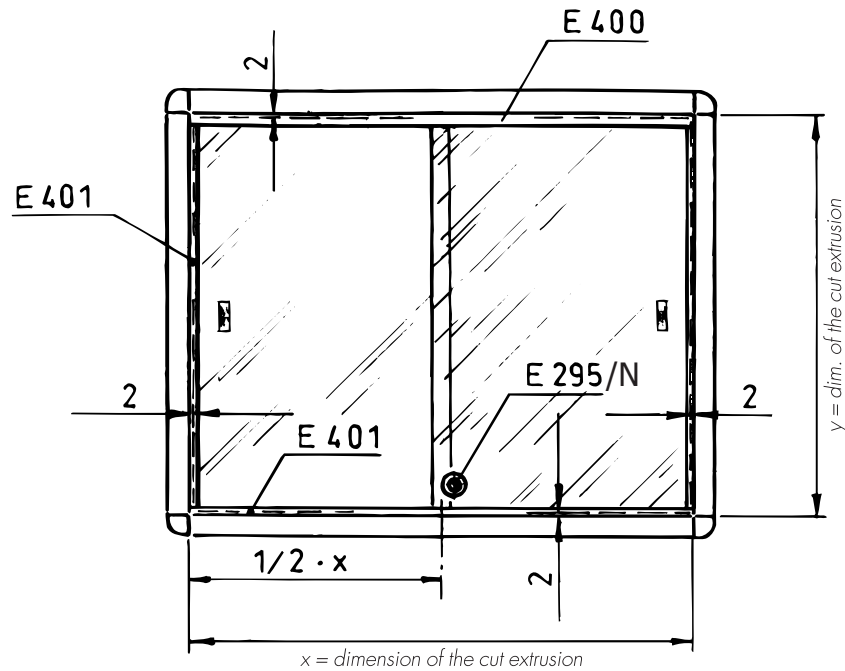


System parts used: E 400, E 401, E 295/N

Recommendation
for glass thickness: 4 mm



► Notes on max.
door dimensions
(glass dimensions)
see page NL-4.1

Dimensions for cutting of E 400:
1 pc. (top) length x
1 pc. (bottom) length x

Dimensions for cutting of E 401:
1 pc. (bottom) length x
2 pcs. length y-18