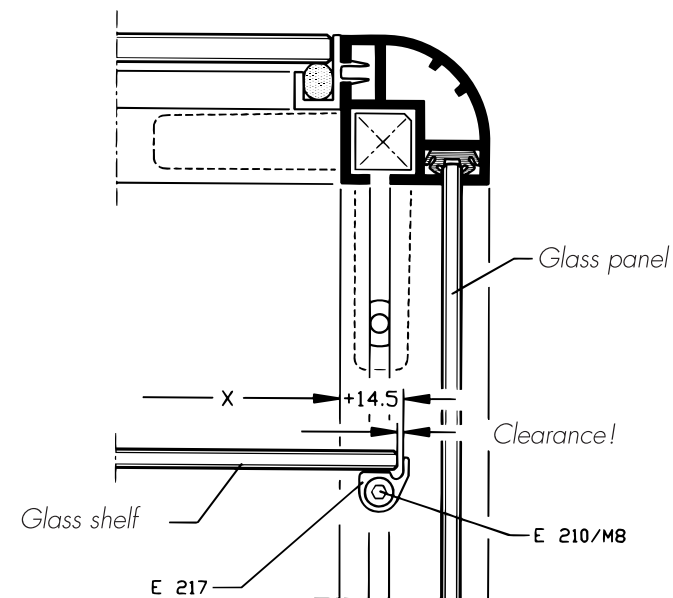
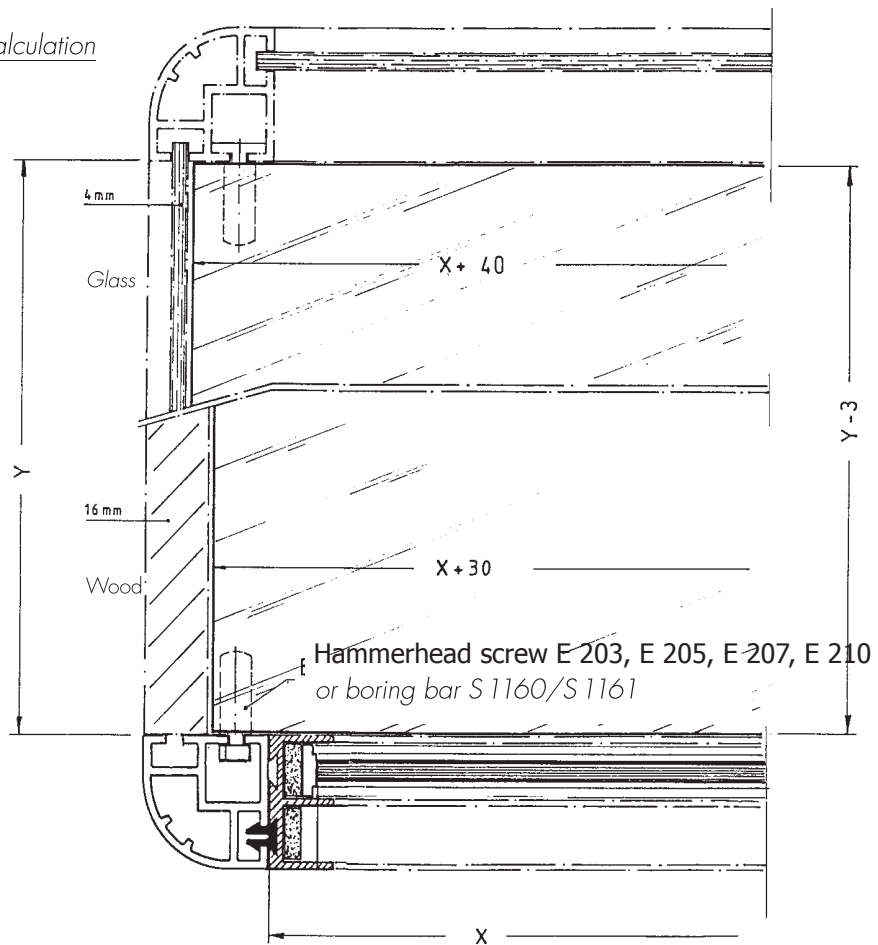


to be Applied with Quarter-round Extrusions S 1105, S 1303, S 1125

*Dimensions for Calculation*



Recommendation:  
Determine glass size with 1 mm clearance!  
(dimension 14.5 = calculated 0)