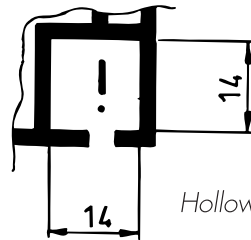
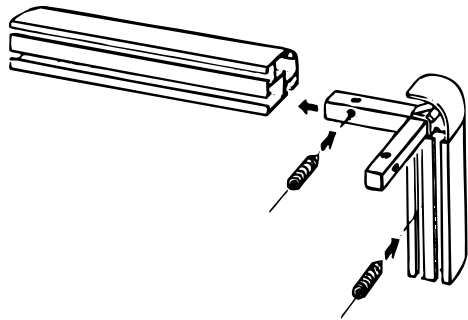


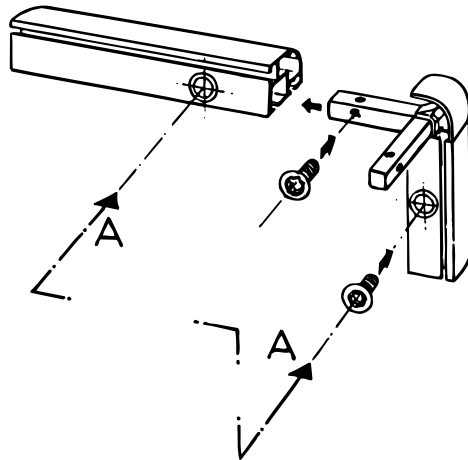
**Application of Counter-Sunk Screws or Set-Screws**

Valid for all knuckles with square legs 14 mm

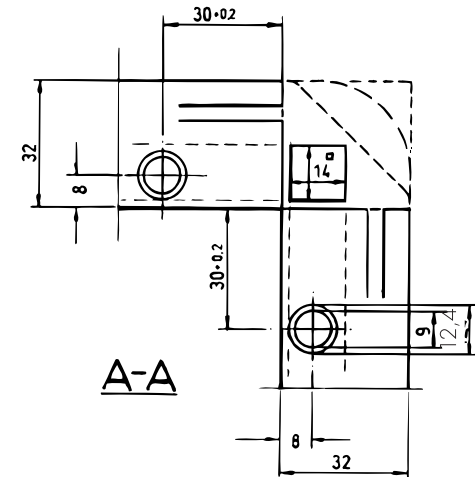
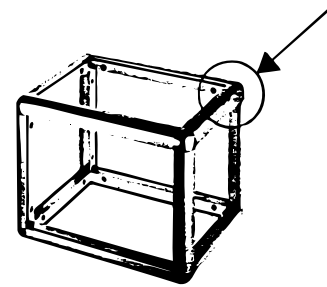


Hollow chamber of the aluminium extrusion

Example 1: set-screws (M6)  
no drilling of the aluminium extrusion S 1105 necessary!



Example 2: Counter-sunk screws (M6)  
extrusions have to be drilled and counter-sunk!



Drilling dimensions: for mounting of the knuckles with torx-head screw E 111/m

Use drilling jig BS 3!

TI NL-25 09/05 SHIFT