

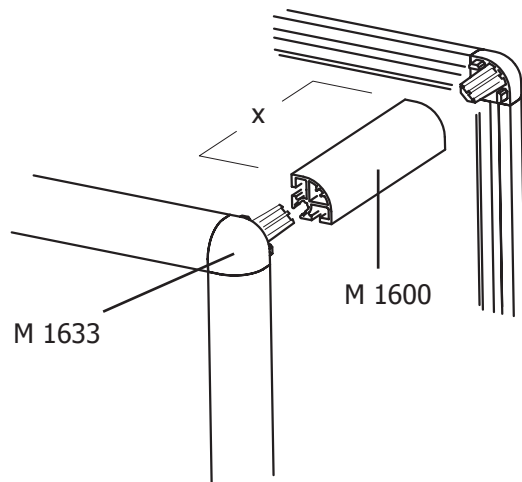
Design example: Knuckle joint - length of the leg

TI-NL-27.1

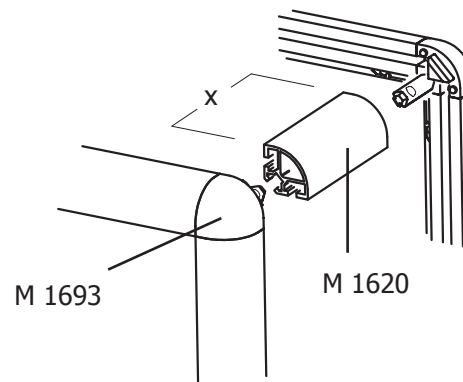
technical information

Min. length of a quarter-round extrusion M 1600
between two knuckles M 1633/M 1632

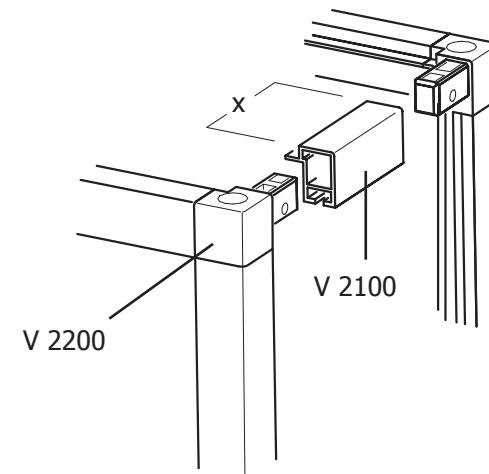
x = 55mm



x = 55 mm



x = 60 mm



TI NL-27.1 EW2612-1 10/05 SHIFT