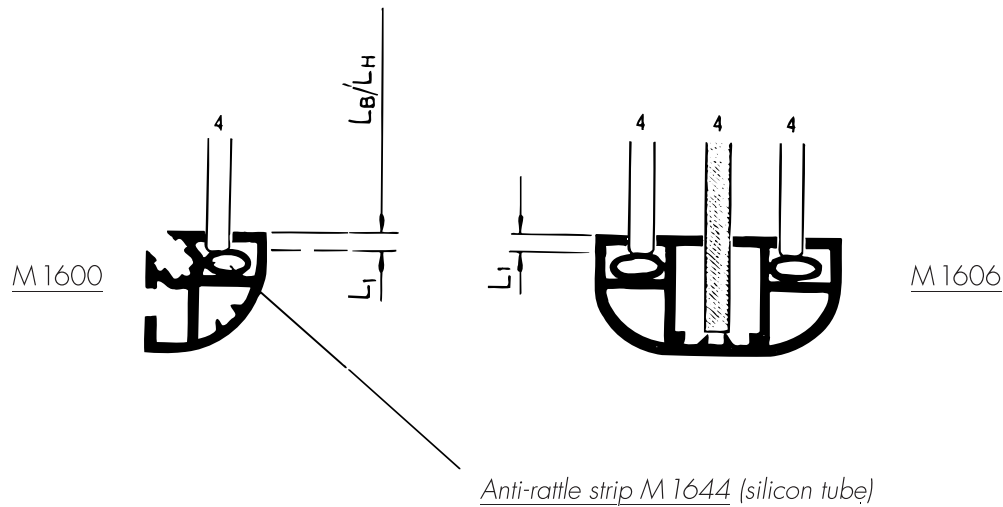


for Use with Anti-Rattle Silicon Tube M 1644

Extrusion M 1600, M 1606

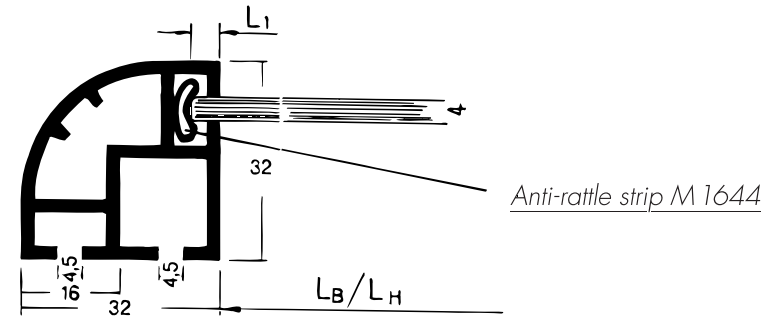


Calculation of the glass measurements:

$L_1 = 4 \text{ mm (insertion depth)}$

$\text{Glass size} = L_B + 8 \times L_H + 8$

Quarter-round extr. S 1105



Calculation of the glass measurements:

$L_1 = 5 \text{ mm (insertion depth)}$

$\text{Glass size} = L_B + 10 \times L_H + 10$