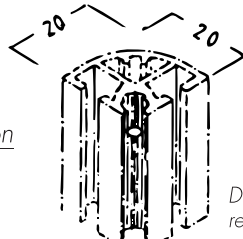


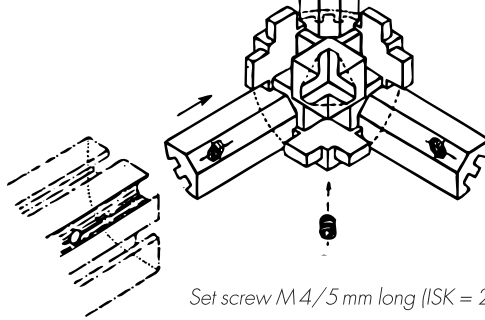
Technical details:

Quarter-round extrusion
M 1600



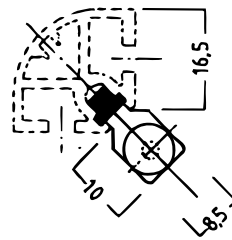
Drilling 4,5 mm
required for mounting
of the set screws

Knuckle joint M 1633

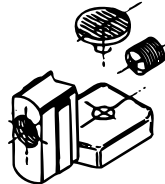


Set screw M 4/5 mm long (ISK = 2 mm)

Shelf peg supports to be mounted into the extrusion's
fixing groove in longitudinal direction only!!



Plastic knurled cap for glass plates



Set screw M 4

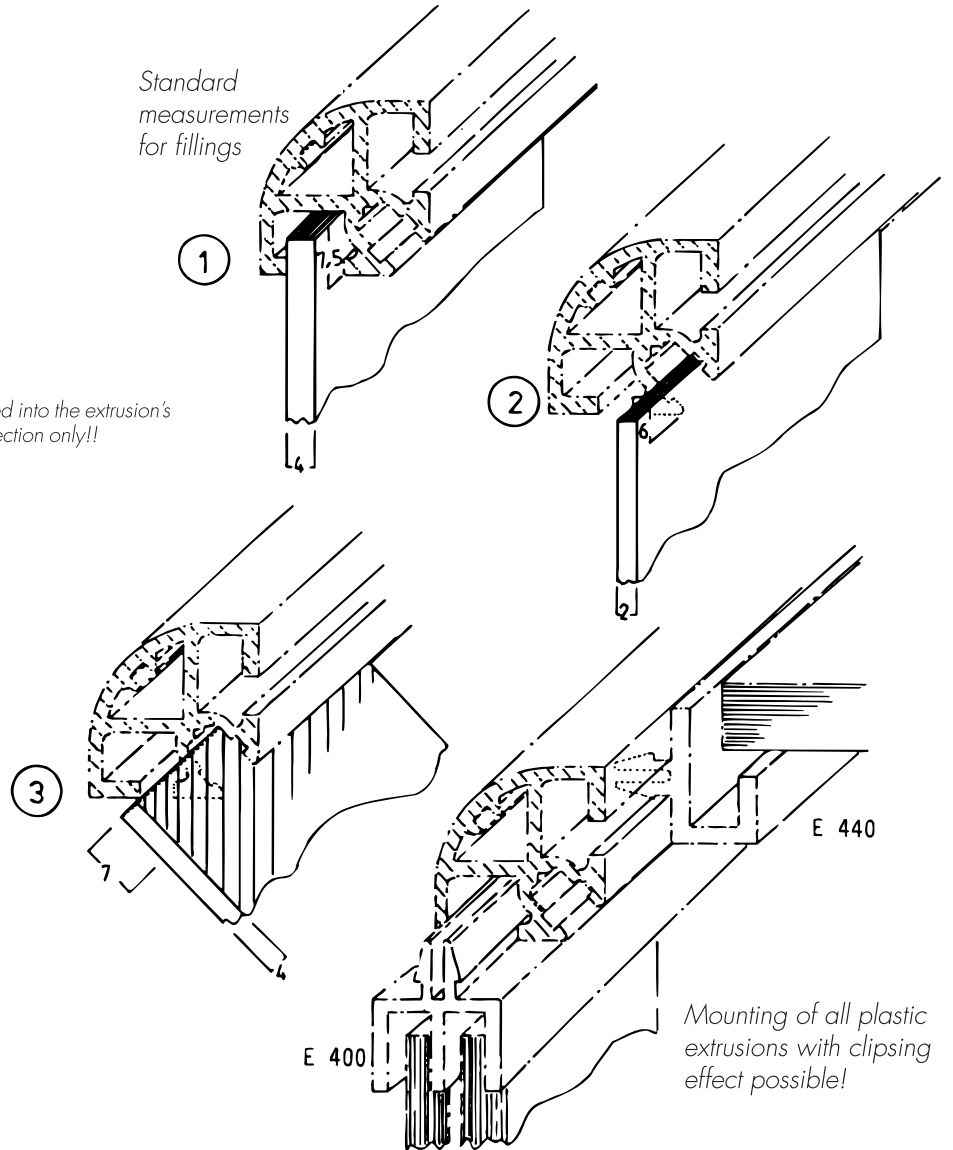
Shelf peg support M 1670

Standard
measurements
for fillings

1

2

3



Mounting of all plastic
extrusions with clamping
effect possible!

TI-NL-47 09/05 SHIFT