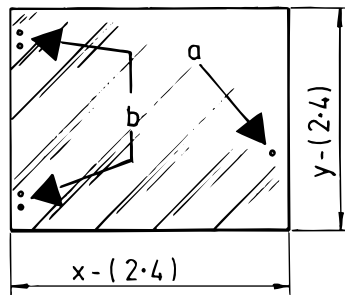


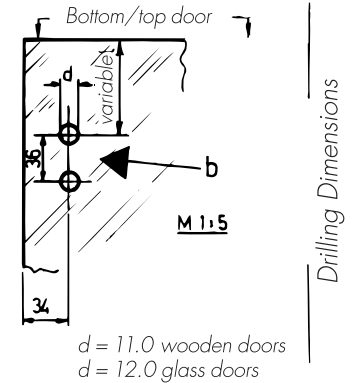
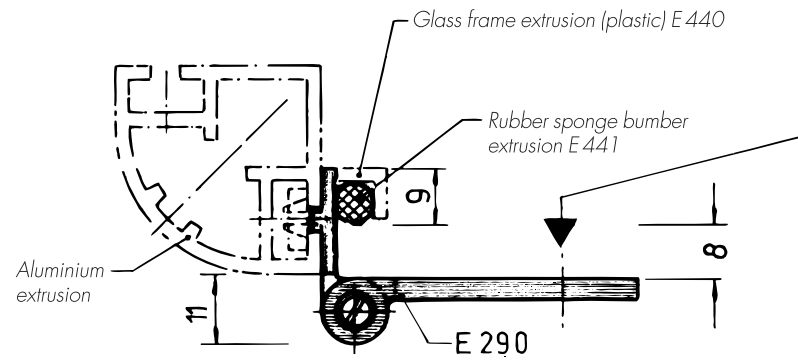
Recommendation for glass thickness 6–8 mm

Glass door dimensions:



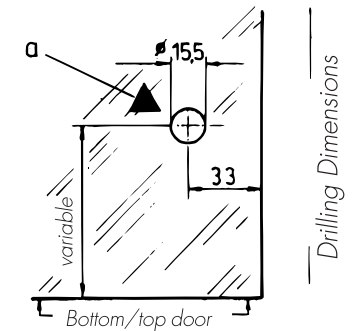
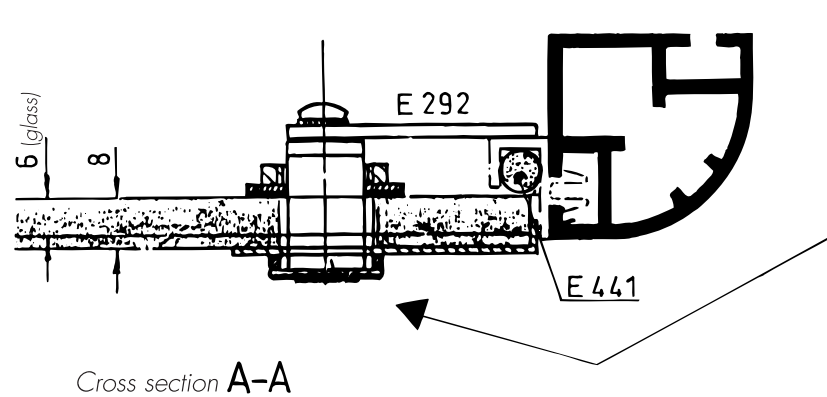
Information regarding max. door measurements (glass dimensions) see page 4.1

Cross section B-B



Drilling Dimensions

TI-NL-4 09/05 SHIFT



Drilling Dimensions