

## Sliding door lock E 295/N

TI-NL-54

## technical information

nickle-plated, with cover plastic black  
for panels 4 mm (max. 6 mm)

Accessories: 2 set-screws

(for 4 mm panels)

2 rubber washers

for sketch ①

2 self-adhesive

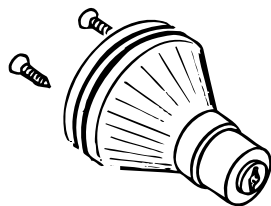
rubber washers

for sketch ②

2 keys

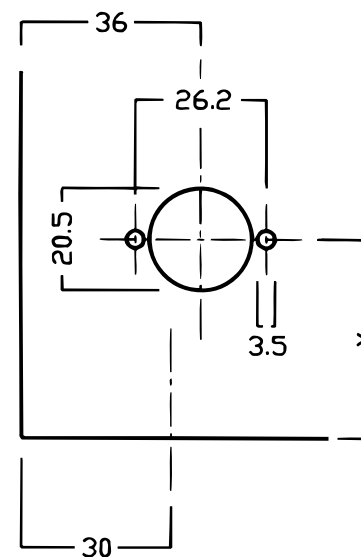
Type: standard locking No. 464

vs = locks to differ



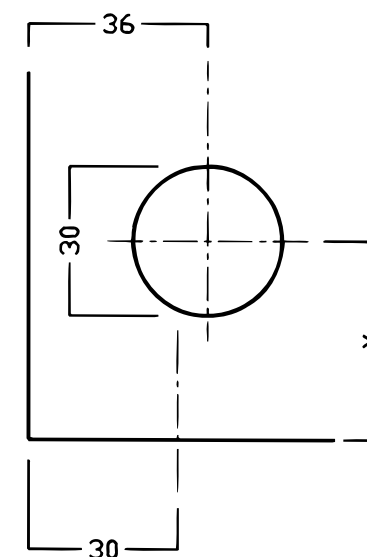
### Drilling sketch for mounting of the lock

to wooden sliding doors: ①

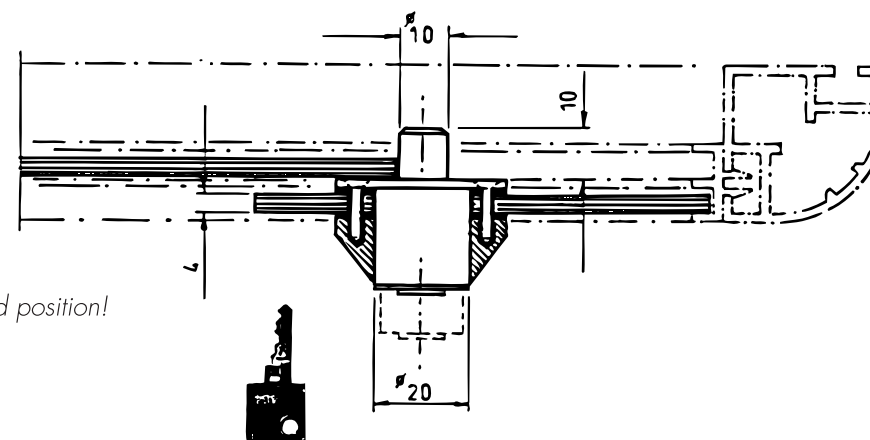


Door overlap

to glass sliding doors: ②



Door overlap



Sliding door safety lock:  
Standard locking No. 464  
acc. to E 291/E 292

Key can be taken off in open and closed position!

TI NL-54 06.1991.09/05 SHIFT