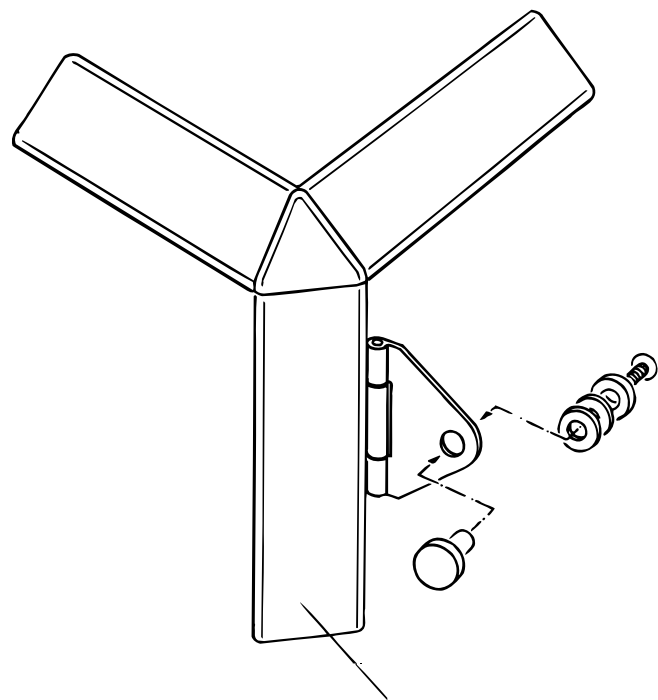


Door hinge E 290/D

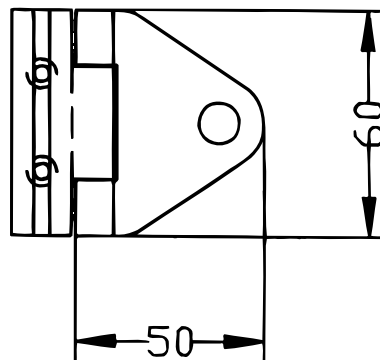
TI-NL-58

technical information

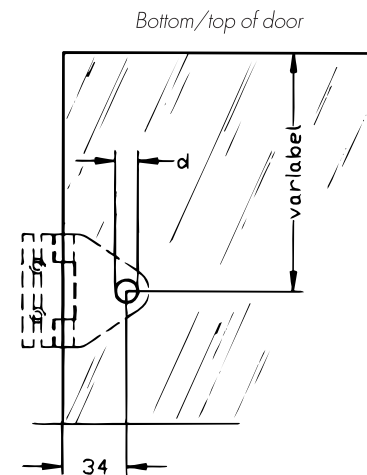
Aluminium, natural anodized
or powder-coated
with screw accessories
for glass and wooden hinged doors
to be used as E 290



Triangular extrusion S 1303



Drilling sketch for glass or wooden
hinged doors



$d = 11 \text{ mm}$ for wooden hinged doors
 $d = 12 \text{ mm}$ for glass hinged doors

TI NL-58 11.1991.09/05 SHIFT