

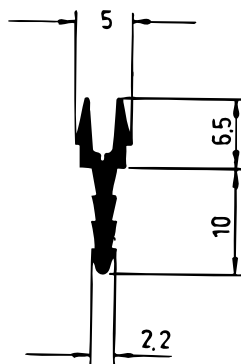
Connecting extrusion E 452

TI-NL-59

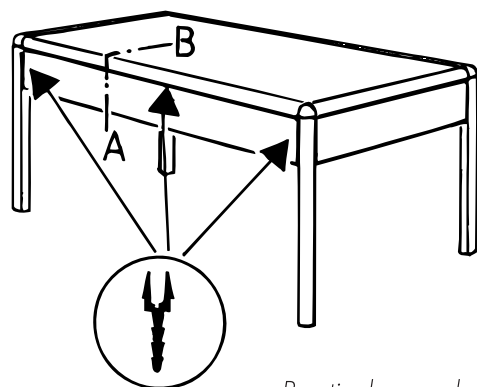
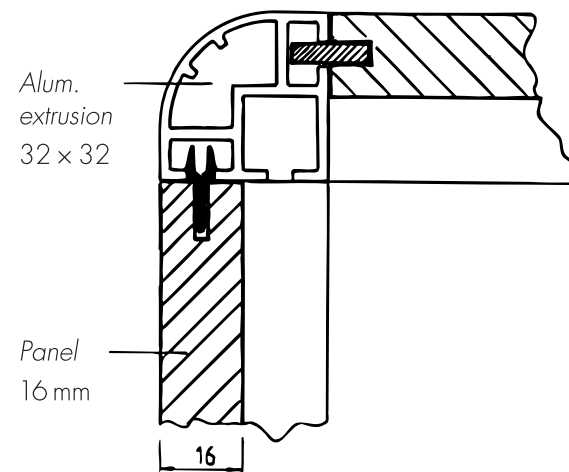
technical information

Plastic, light-grey
for wooden panels off
13 mm thickness
5000 mm long

The connecting extrusion is fixed into the
system grooves by a clipping mechanism.
Wooden panels can therefore be
built in lateron.

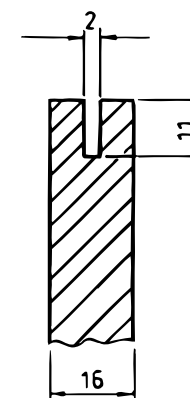


A - B



Practical example:
Table unit

Panels with groove at the front ends



TI NL-59 11.1991.09/05 SHIFT