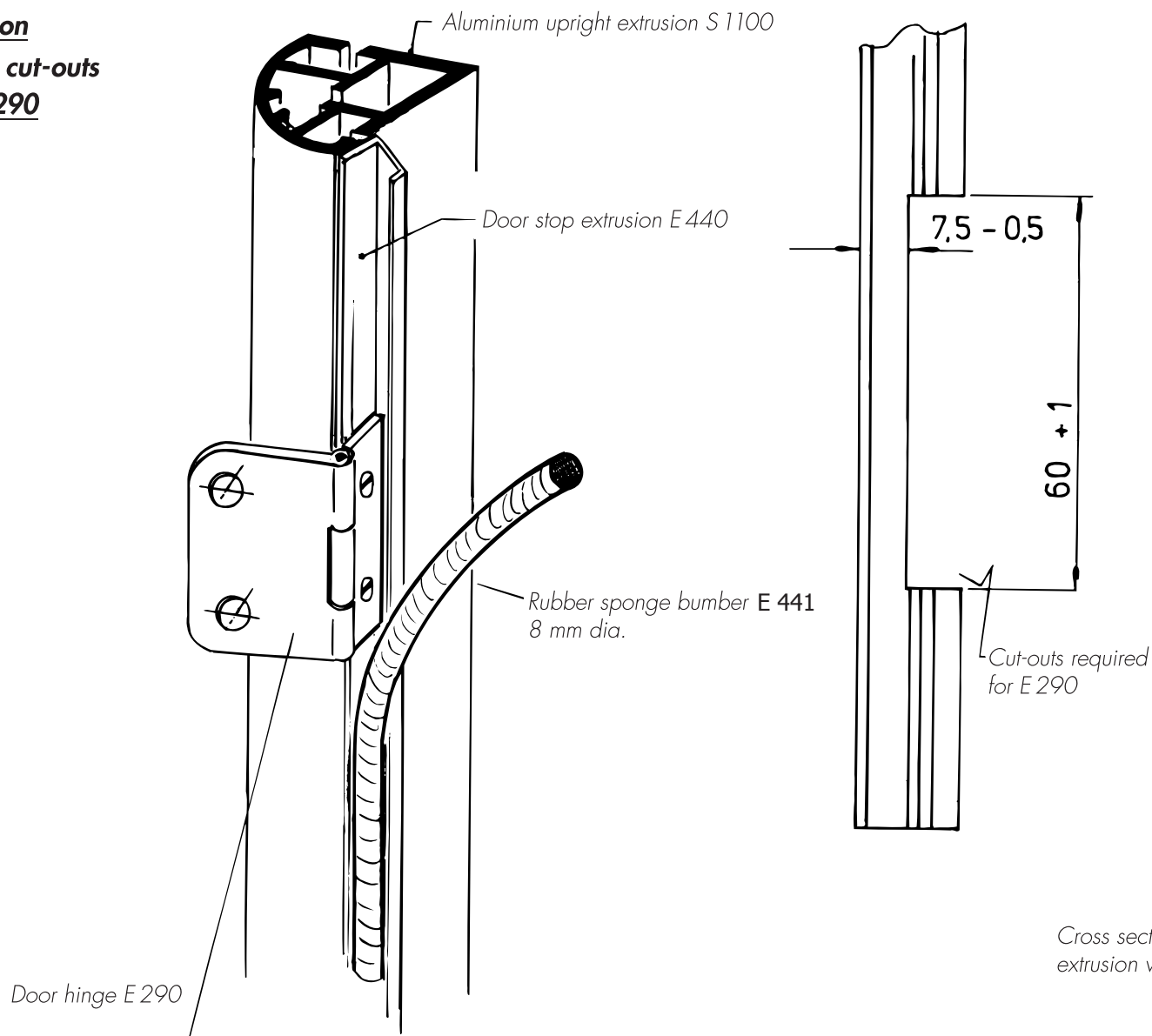


**Door stop extrusion**  
**with the required cut-outs**  
**for door hinge E 290**



TI-NL-5 09/05 SHIFT