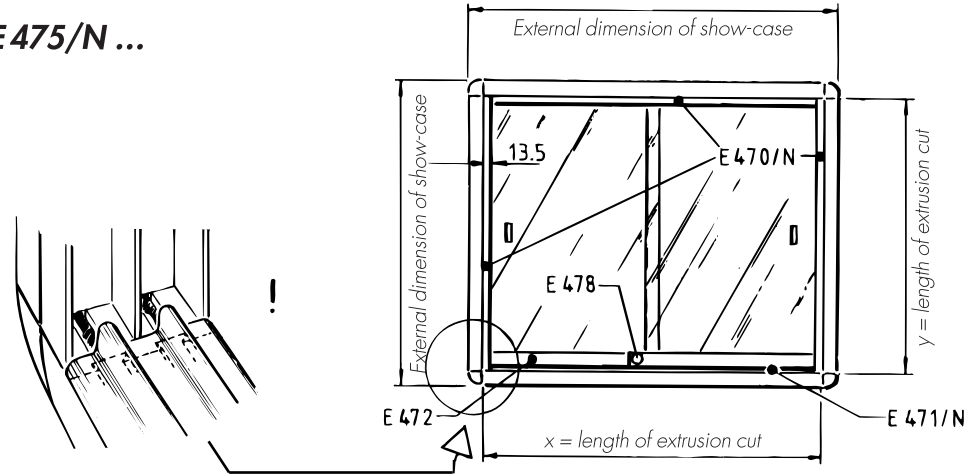
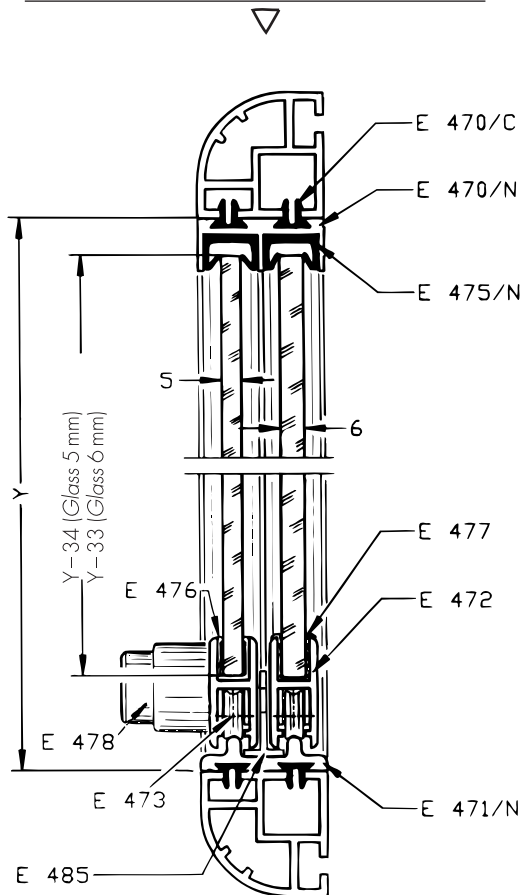


for Sliding Door Extrusions E 470/N, E 471/N, E 475/N ...

New Version

Detail: Vertical cross section/Glass door
Glass thickness 5 and 6 mm demonstrated



Detail: Horizontal cross section
Glass dimensions calculated for mounting lateron resp. demounting

