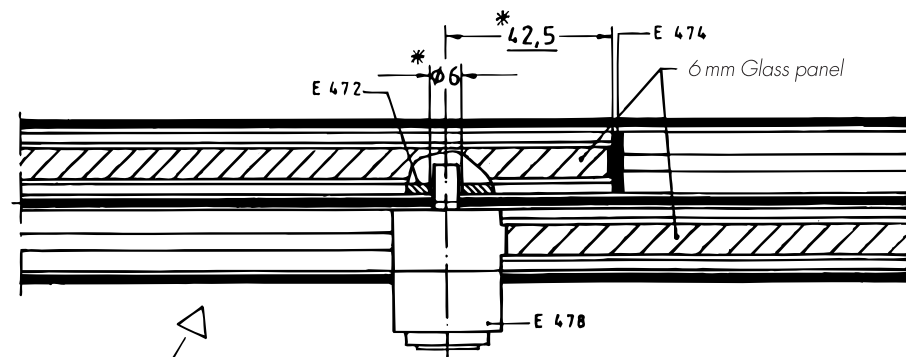
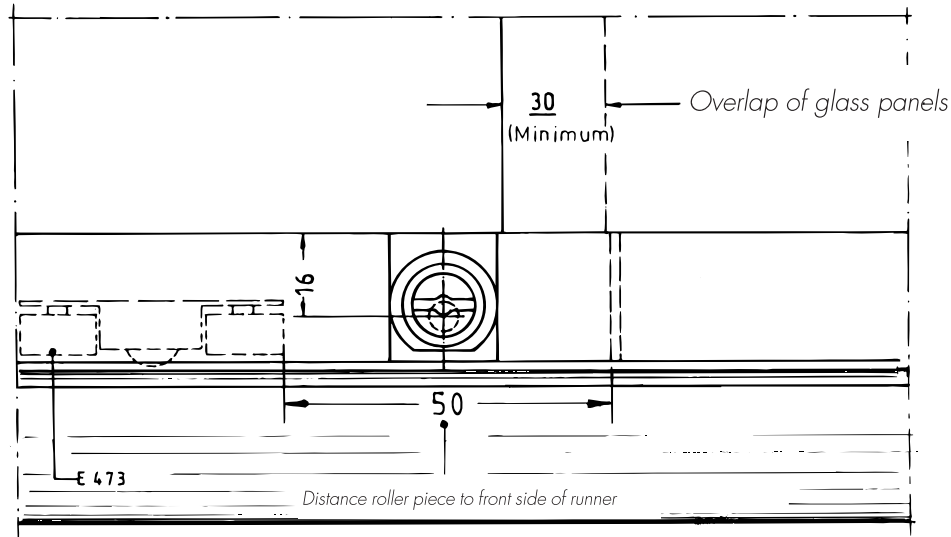


Sketch for mounting of sliding door lock E 478

TI-NL-63.2

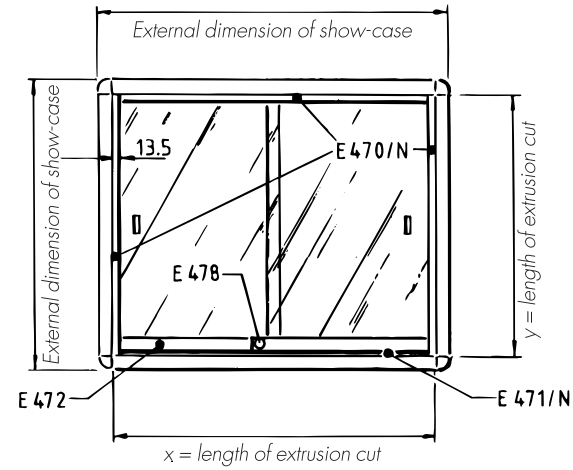
technical information

in Connection with E 470/N ...



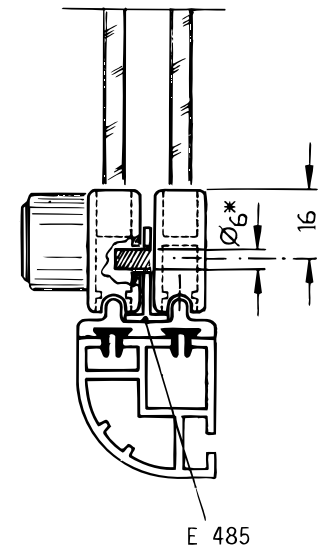
Description without anti-hinging device E 485

New Version



Important:
Cut M 3 thread for fixation

* = Drilling in E 472



TI NL-63.2 12.1992 09/05 SHIFT