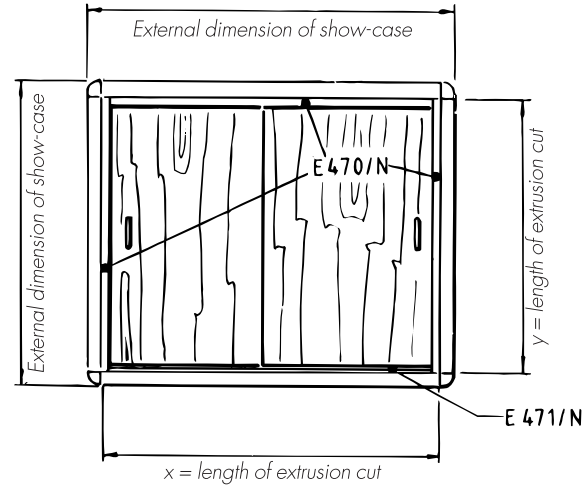
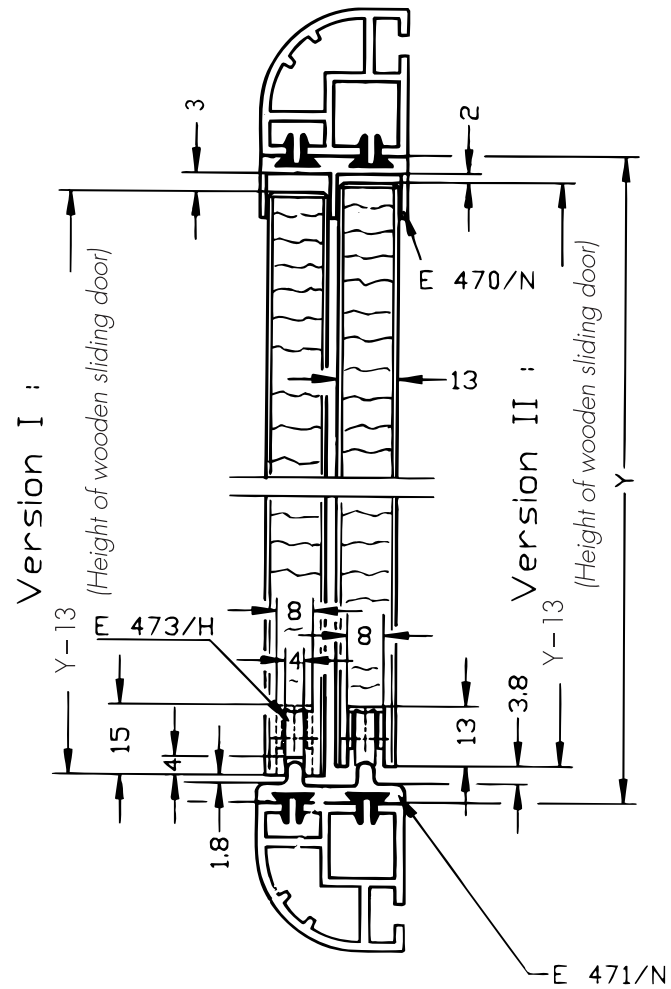


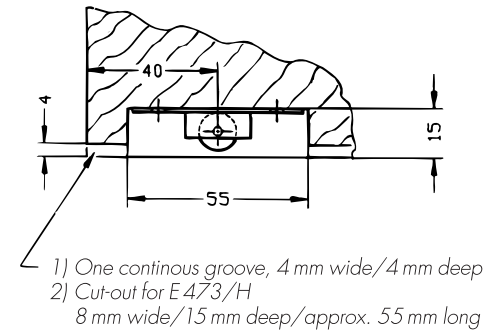
for Sliding Door Extrusions E 470/N, E 471/N ...



Wood dimensions calculated  
for mounting lateron  
resp. demounting

New Version

Version I :



Version II :

