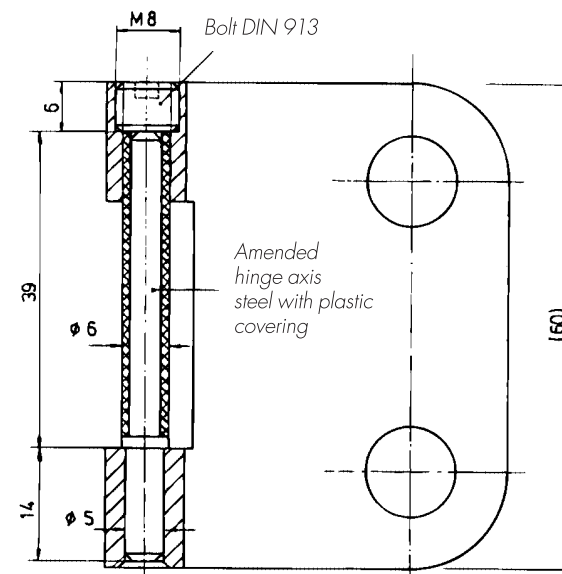
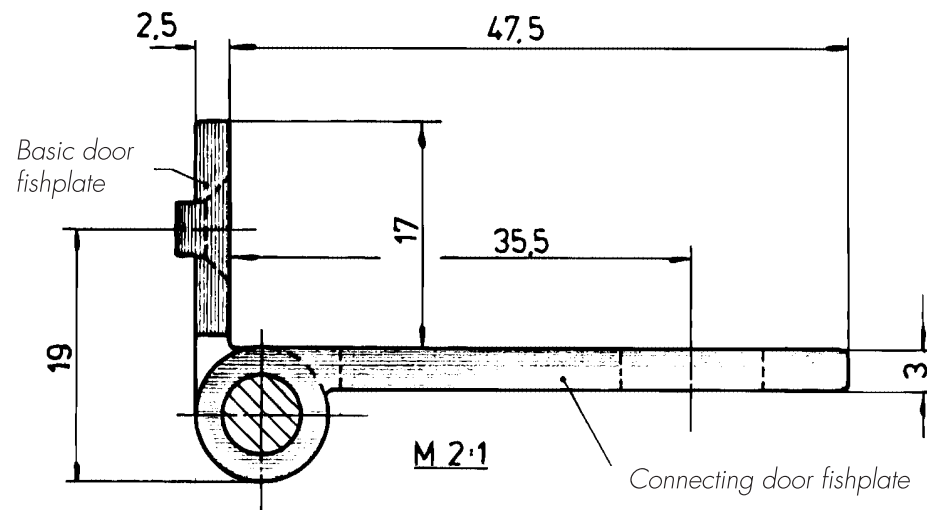


*Detailed drawing E 290*



TI-NL-6 09/05 SHIFT