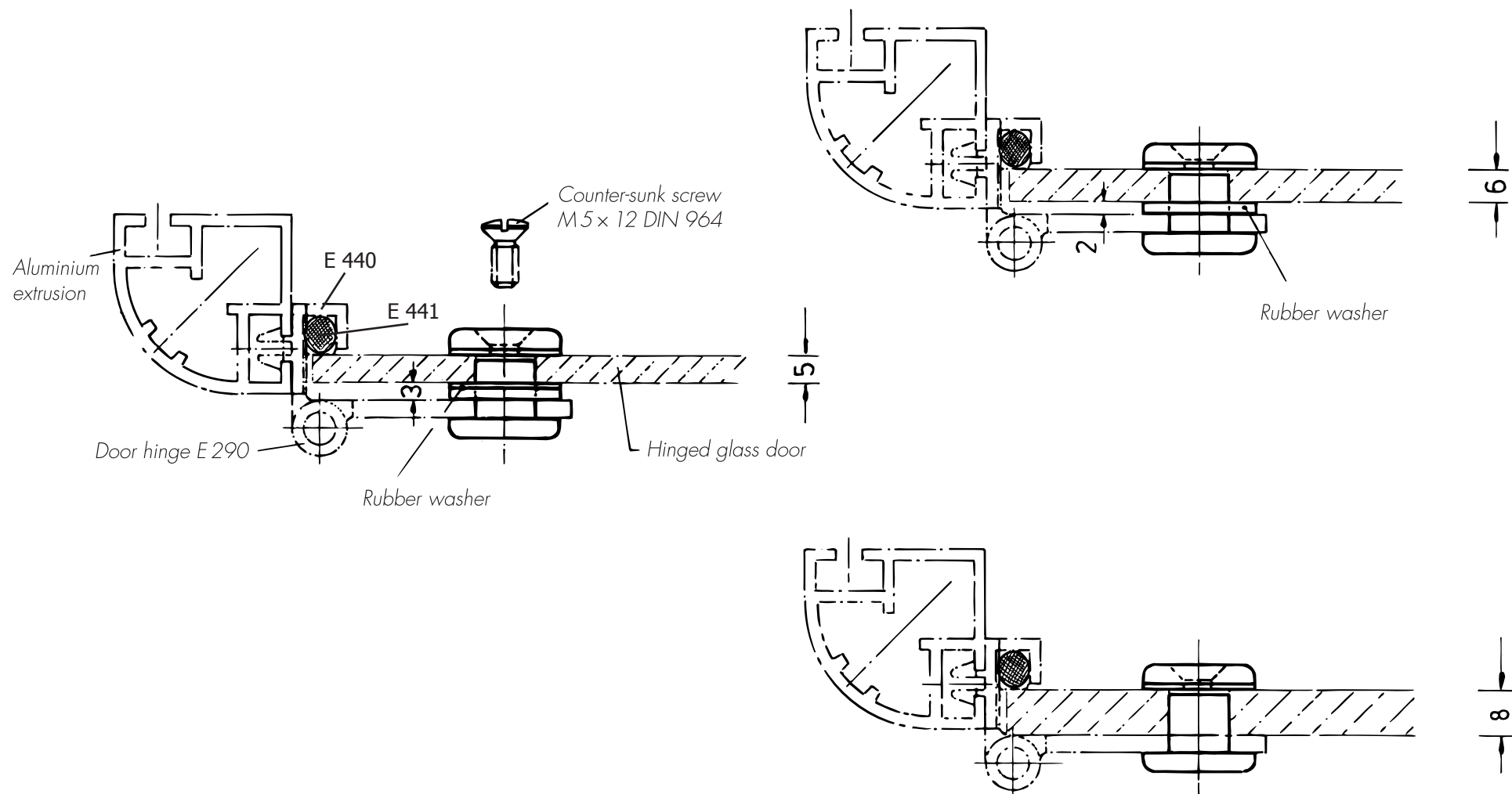


Mounting instructions for hinge E 290

TI-NL-7

technical information

Mounting of the accessories (Exchange parts) for hinged glass doors 5, 6, 8 mm



TI NL-7 09/05 SHIFT