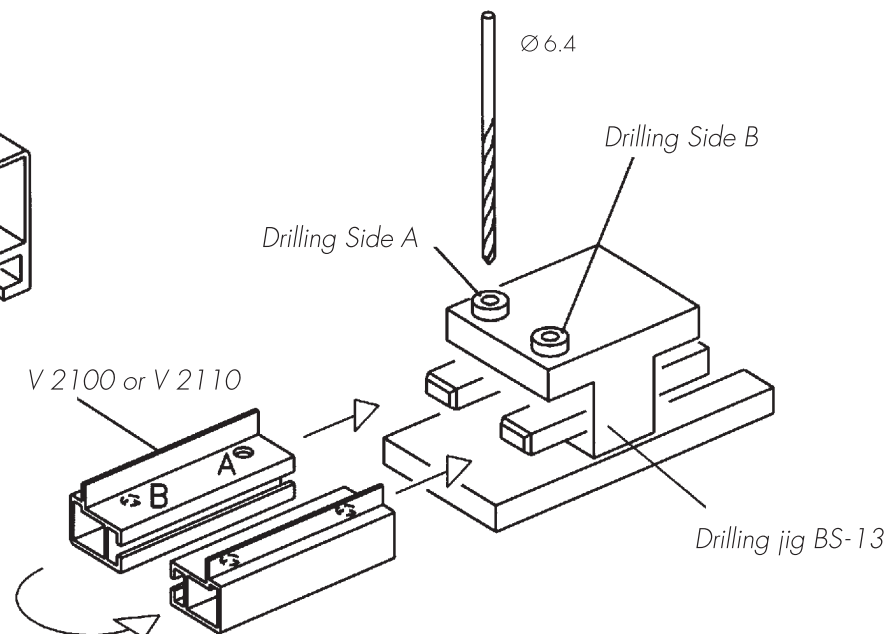


Thread in knuckle joint is formed by self-tapping countersunk screw!



Rational mounting:
Mounting with accumulator screwdriver

