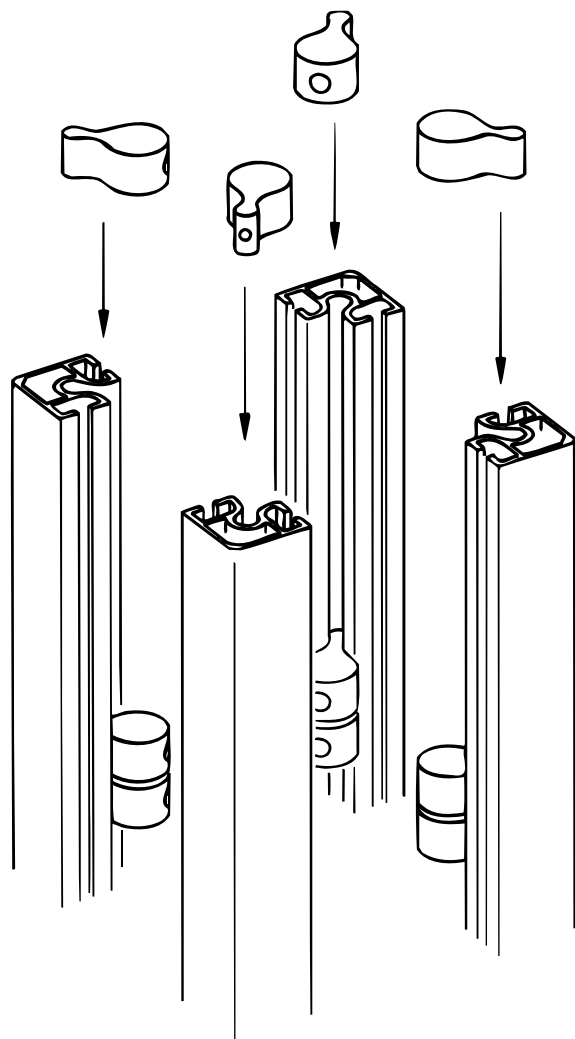
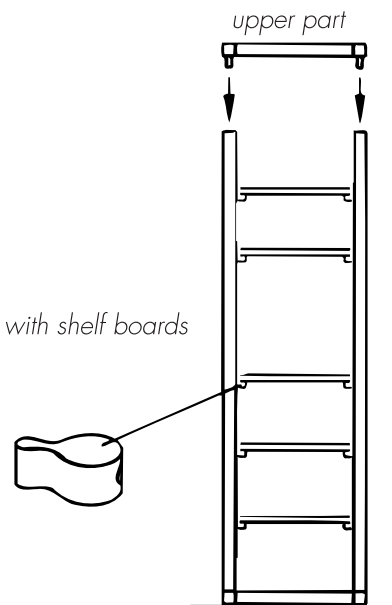


*Attention: Before mounting the upper part insert shelf supports (4 pieces per shelf board)!*

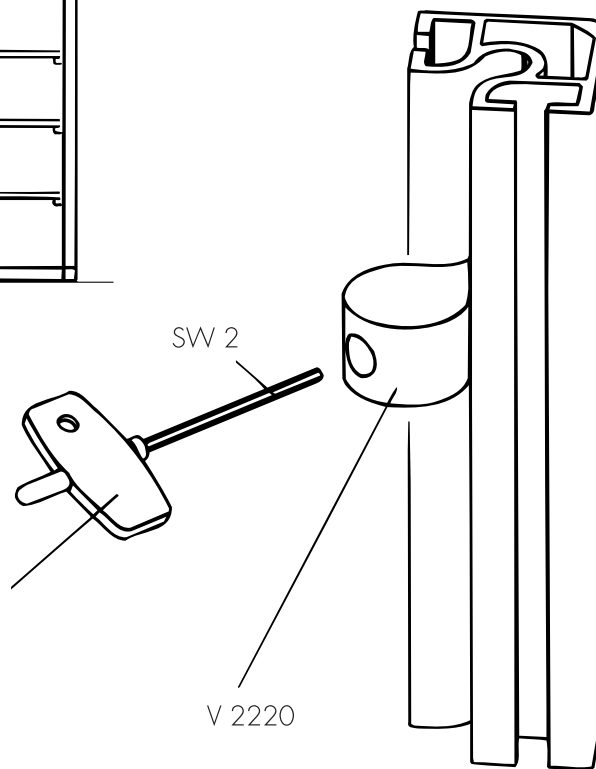


*Shelf support with set-screw (m4)*

*Example: Showcase with shelf boards*



*Fixation of the shelf supports with allen wrench V 2505*



*Shelf support bear (distributed, non-dynamic load)*

20 kg / V 2220