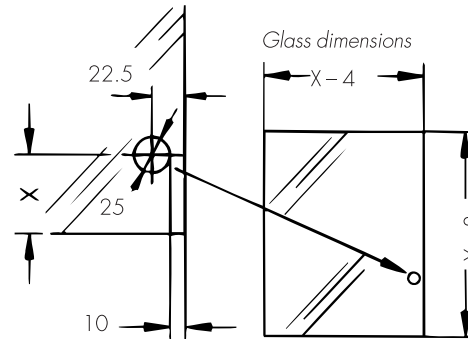
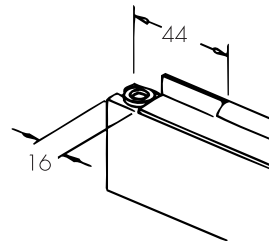


Door stopping profile on stopping side only is sufficient

Detail: Drilling for glass door lock V 2226



When using E 430 on top and bottom: Cut out E 430 as per sketch below



Mounting of glass door:
Insert hinges into the bushes, open lever!
Fix upper hinge with tape temporarily to upper beam. Insert glass door into both hinges, close top and bottom lever!

