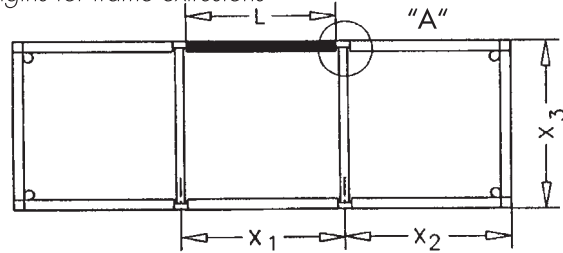
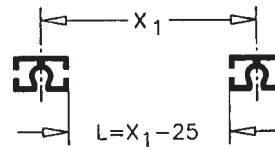


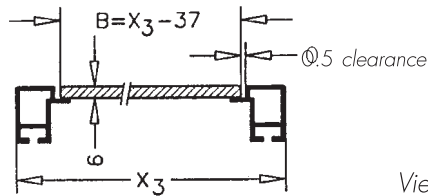
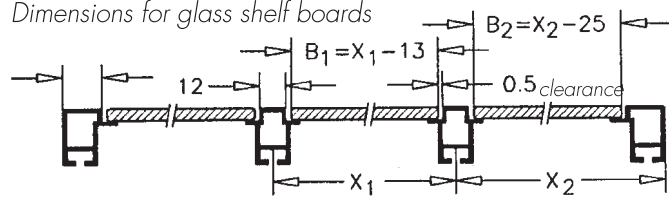
Cutting lengths for frame extrusions



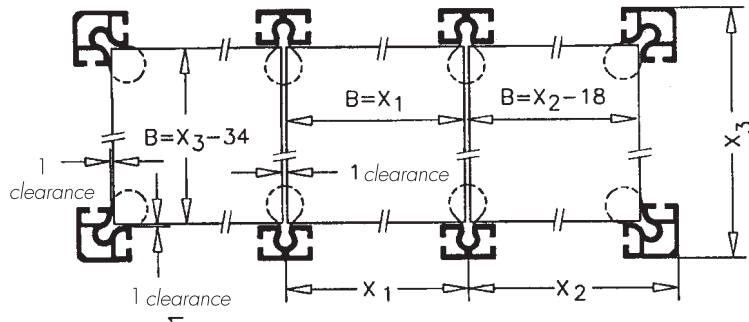
X = Corpus dimension
 L = Length of frame extrusion
 B = Glass dimension
 H = Wood dimension



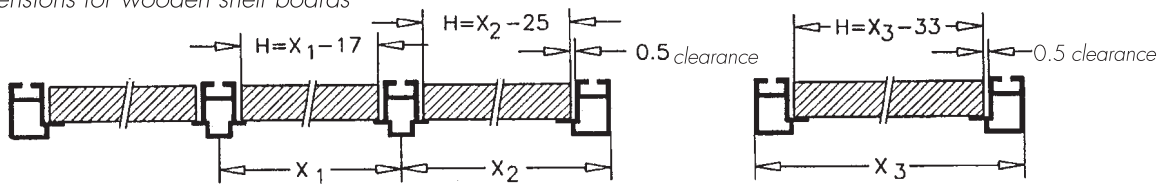
Dimensions for glass shelf boards



Dimensions for glass shelf boards

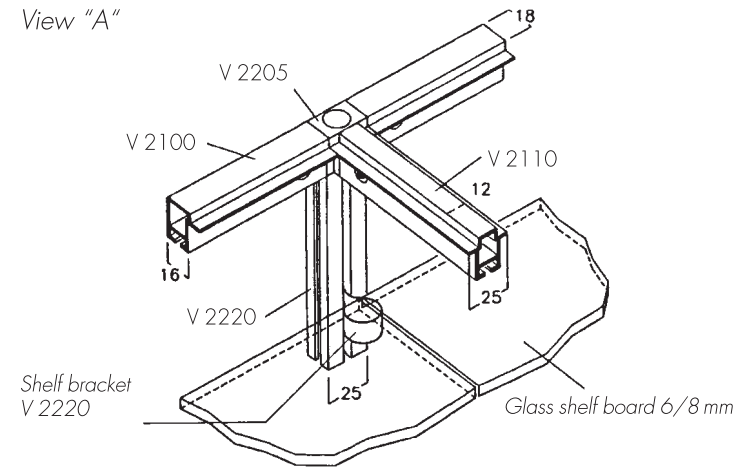


Dimensions for wooden shelf boards



For missing dimensions,
 please see our Technical
 Information NL 87

View "A"



TI NL-87.1 06.1995 09/05 SHIFT