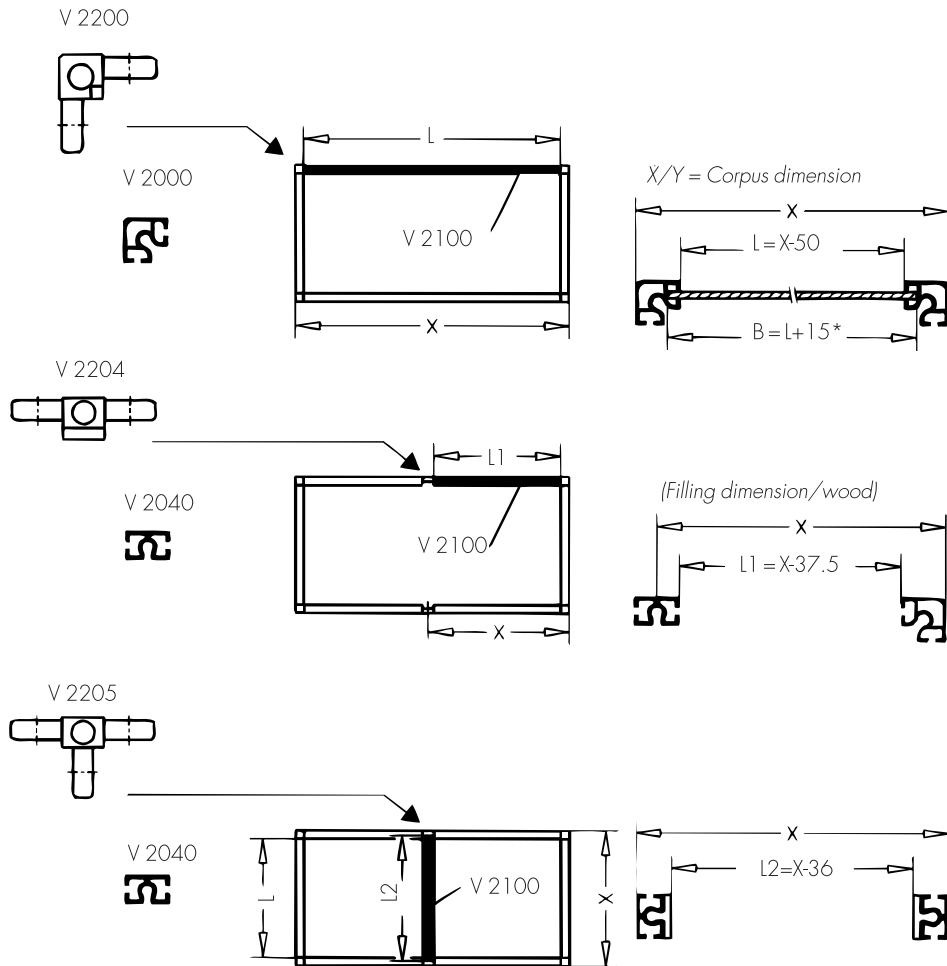
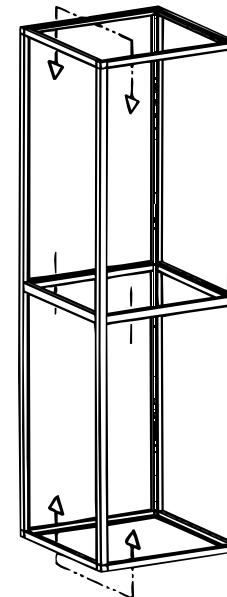
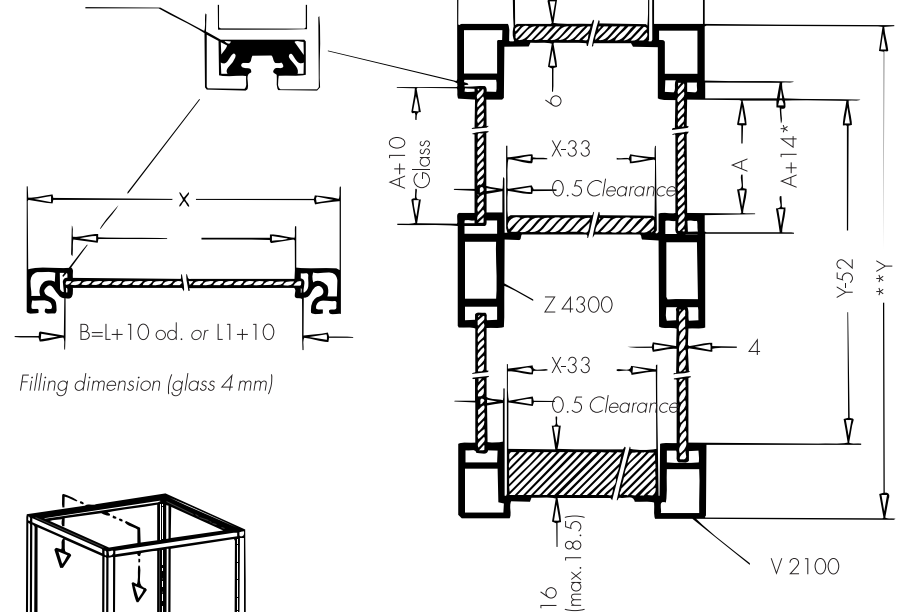


Cutting lengths for frame extrusions



E 444
(2 pcs. approx. 100 mm long)



** Cutting lengths for upright extrusions
 Dimensions for lateral fillings and shelf boards (glass/wood)
 * Exact filling sizes improve the stability

TI NL-87 12.1994 09/05 SHIFT