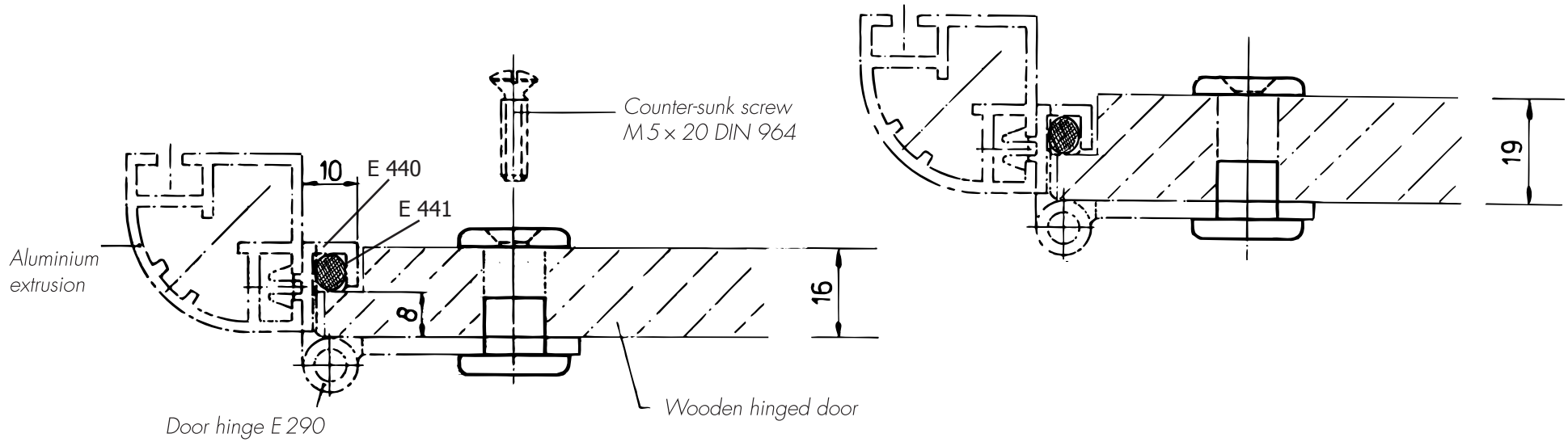


Mounting instructions for hinge E 290

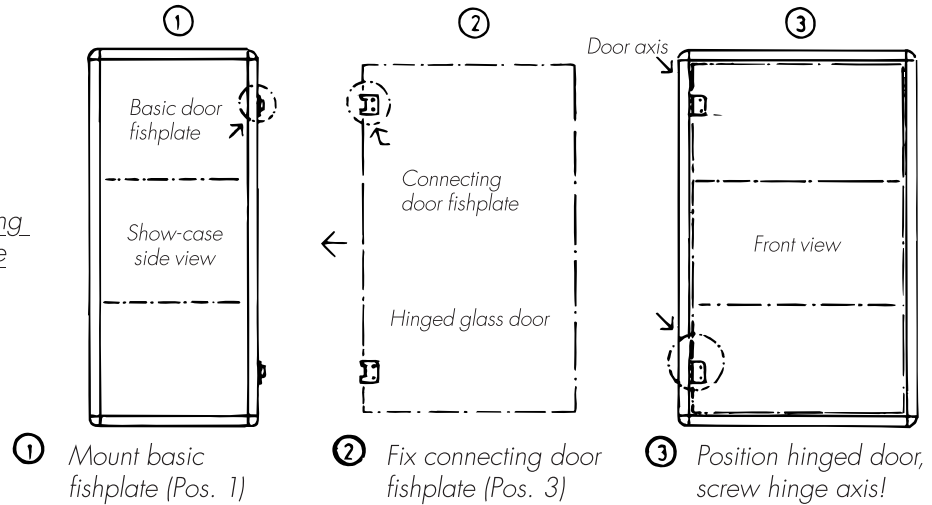
TI-NL-8

technical information

Mounting of the accessories (exchange parts) for wooden hinged doors 16 and 19 mm



Sequence for mounting door hinge E 297



TI-NL-8 09/05 SHIFT