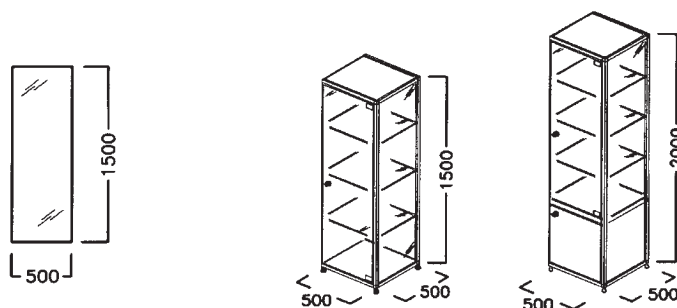
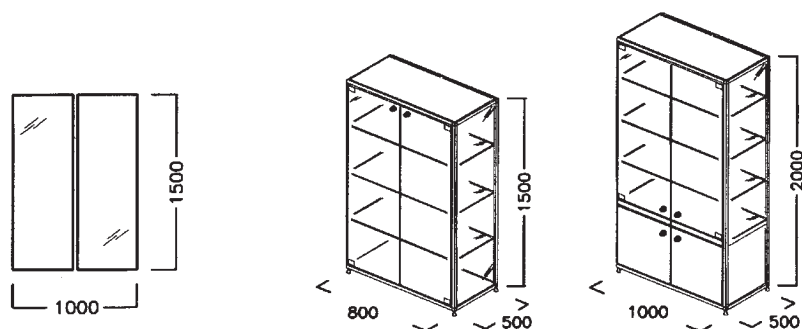


*Hinged doors, single-sashed
with 2 hinge plates V 2225*



*Hinged doors, two-sashed
with each 2 hinge plates V 2225*



Our recommendations for maximum measurements when using V 2000 system parts are standard values set forth for general application; they will vary according to the skeleton construction.

Different stability values are achieved for shelves with wooden back and lateral walls compared to a mere glass showcase. (Lever action on open hinged door, space requirement!)

Separations made out of beams allow bigger dimensions. The exact adherence to the recommended infills and wooden shelf boards is the precondition to exact stability in practice.

In case of doubt please send us a simple drawing from which we can see the relevant measurements and make comments to the intended shelving resp. infill materials.