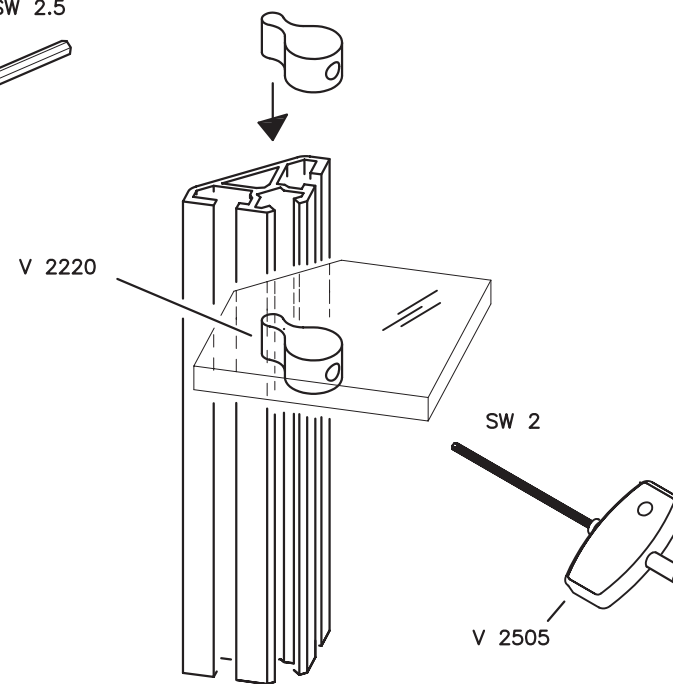
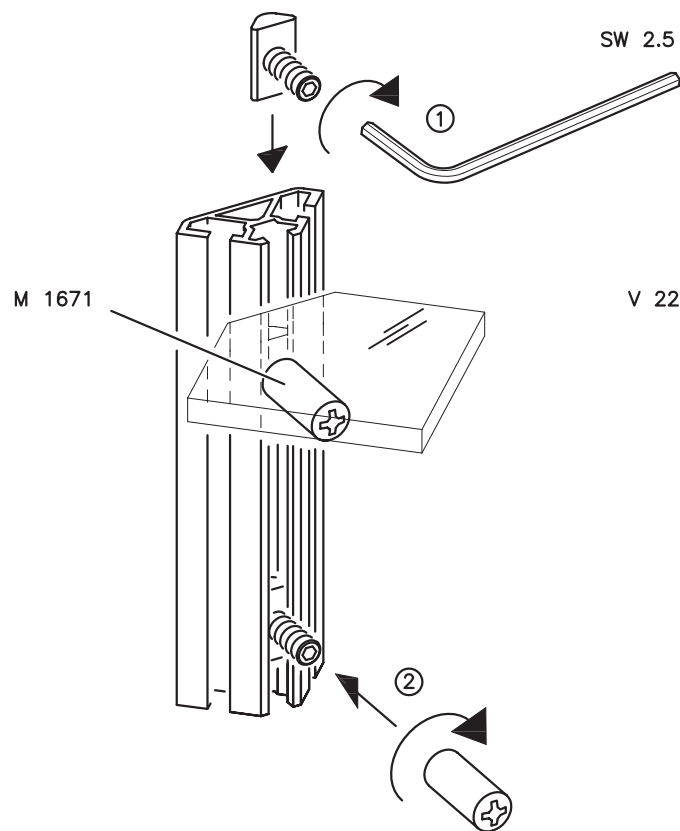
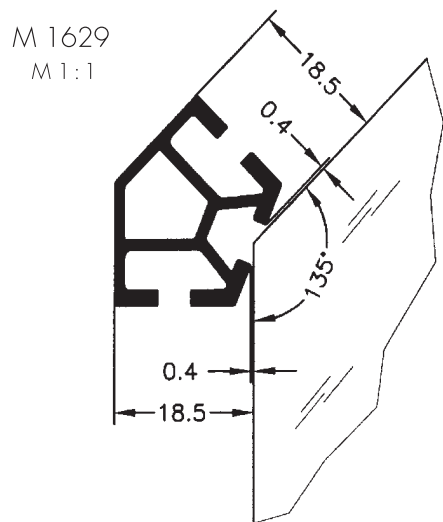
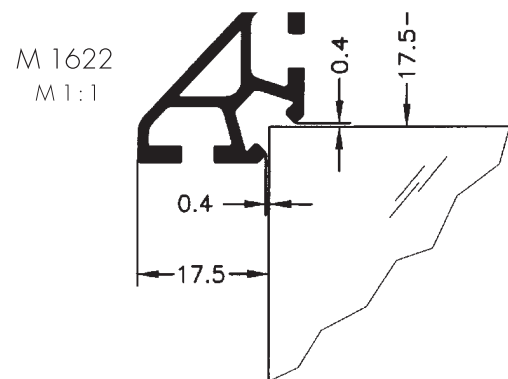


Dimensions of glass boards

TI-NL-95

technical information



TI NL-95 06.1998 EW 2613 10/05 SHIFT