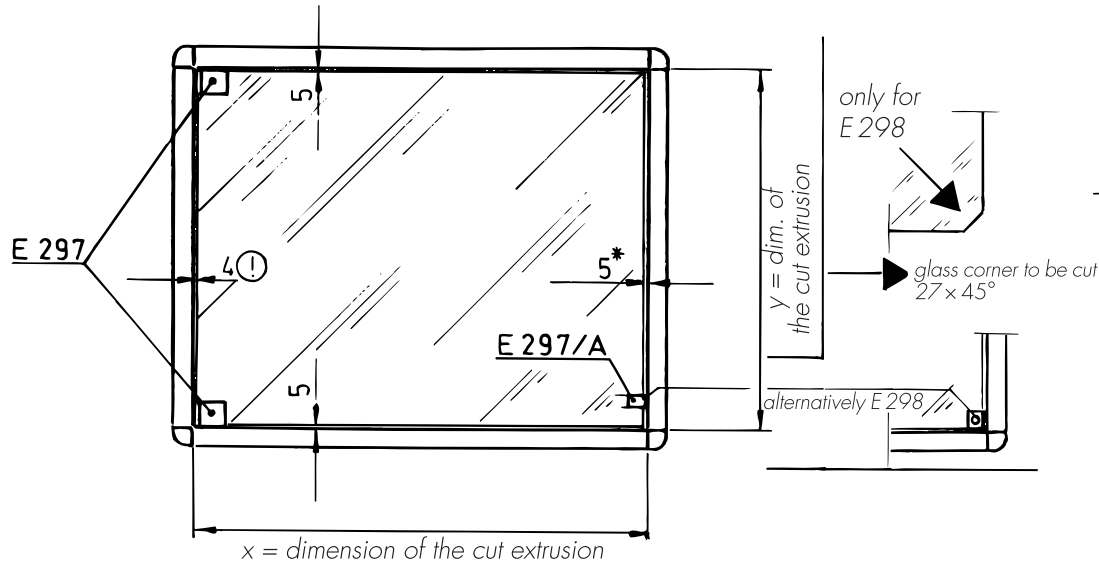


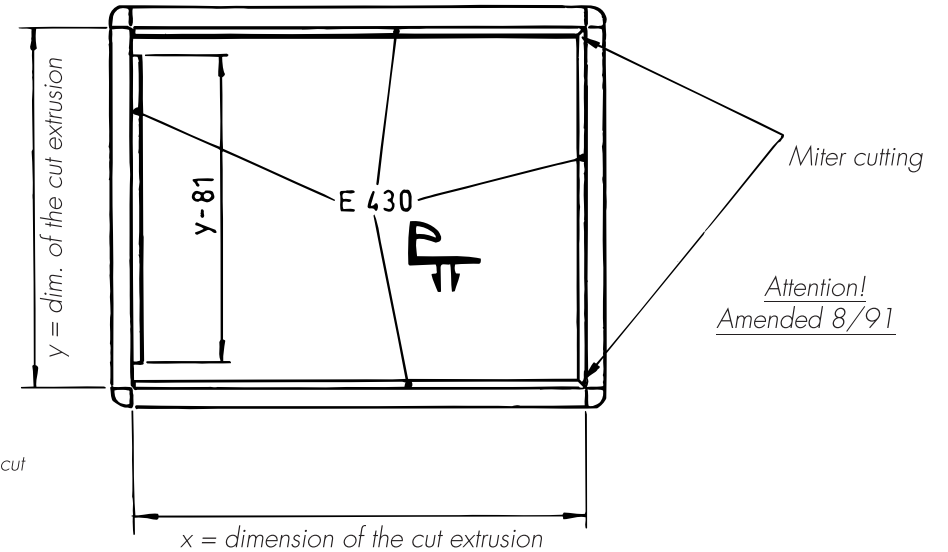
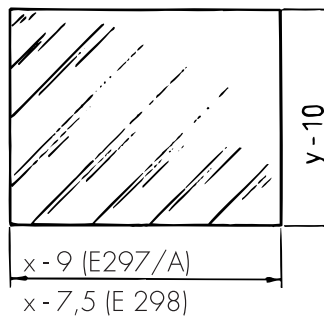
**System Parts Used: E 297, E 297/A, E 430, E 298 (alternatively)**  
**(drawing per DIN left)**



Recommendation for glass thickness: 5 mm  
 (max. 6 mm)

\* for use of E 297/A; otherwise 3,5 mm (with E 298)

Glass door dimensions



Cutting dimensions /E 430:  
 2 pcs. length  $x$   
 1 pc. length  $x-81$   
 1 pc. length  $y$

▶ Notes on max. door dimensions  
 (glass dimensions)  
 see page 4.1