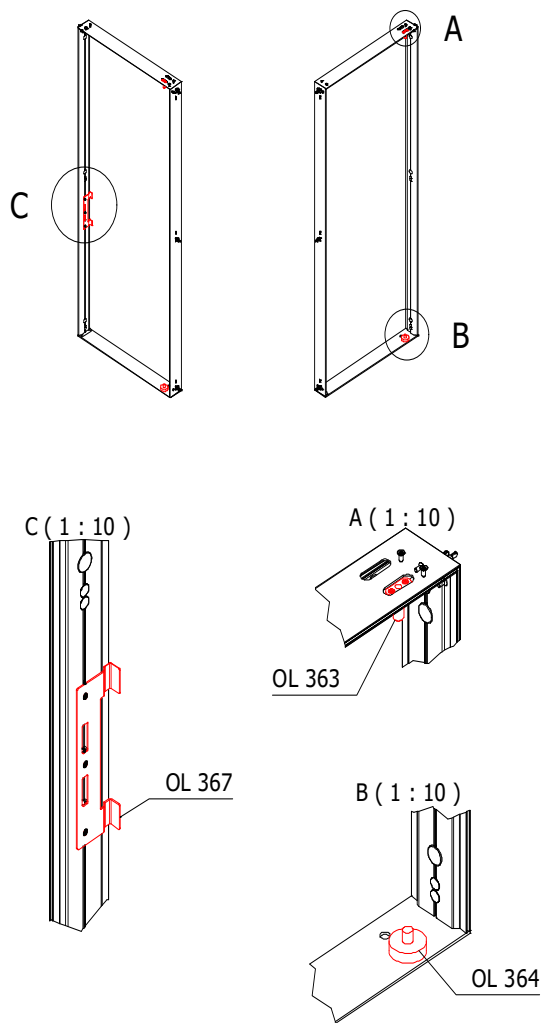
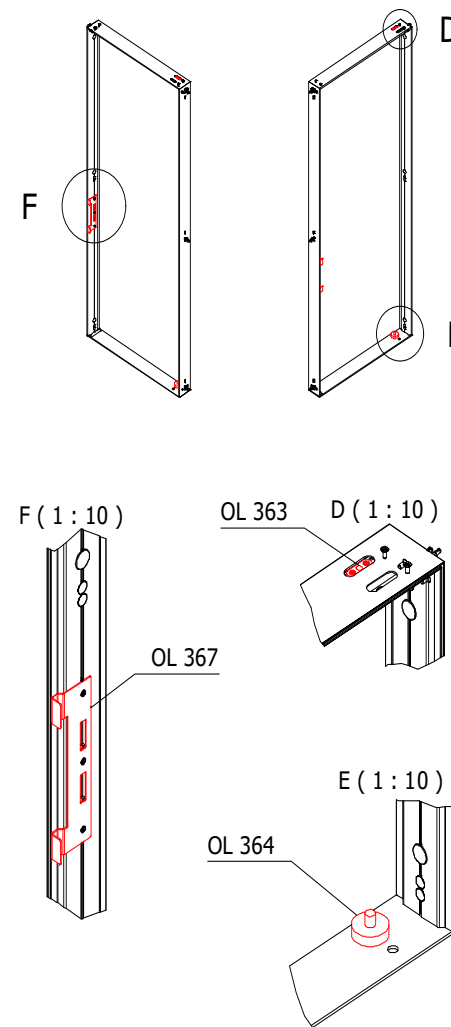


1 open by "pulling"

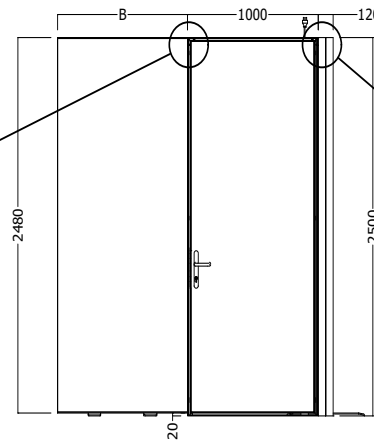
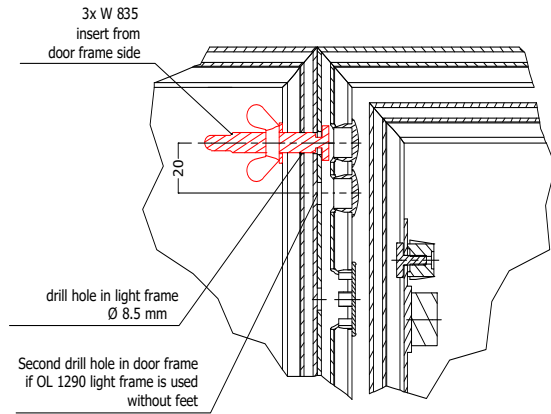


2 open by "pushing"

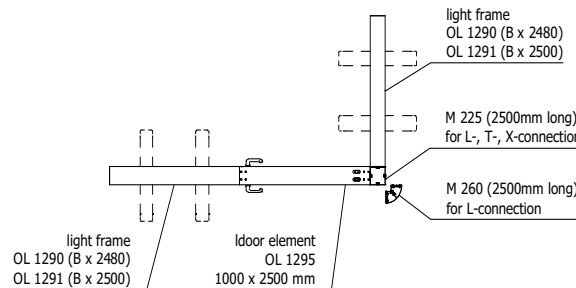
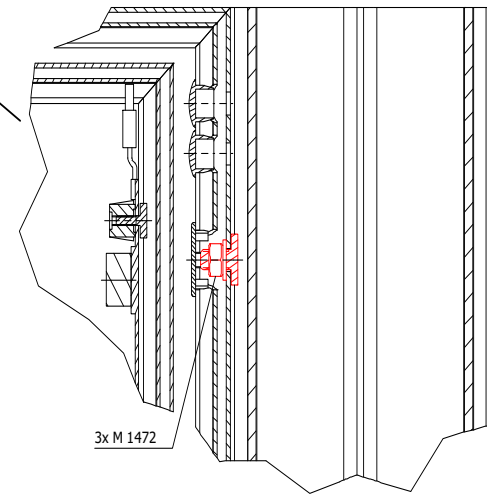


TI-OL-1.7 E-000639-0010A-T01 A In Bearbeitung

connection
light frame OL 1290 - door frame



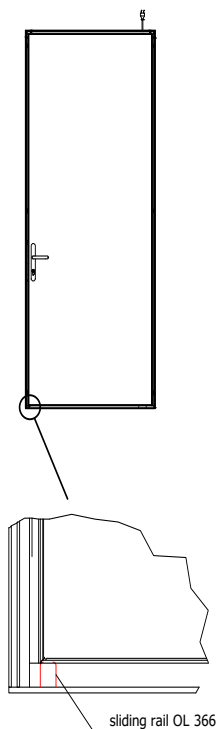
connection
door frame - extrusion M 225 / M 260



Please note!
When using OL 1290 light frame **without** feet, there is a height offset of 20 mm **at the top** between the OL 1290 light frame and the door frame of the OL 1295 door element.
To avoid this height offset, use the light frame OL 1291 with a height of 2500 mm instead of OL 1290.

TI-OL-1.7 E-000639-0010A-T01 A In Bearbeitung

sliding rail OL 366

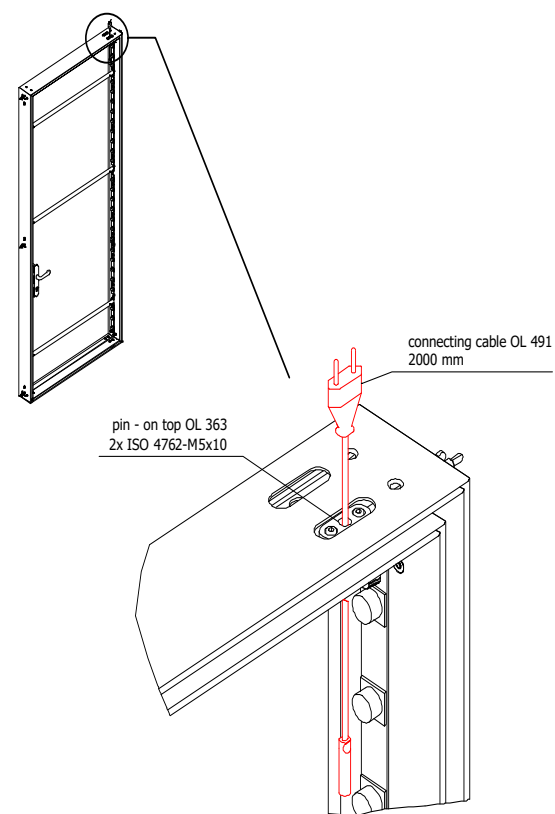


Slide rail OL 366 prevents the closed door from hanging askew in the door frame. This can be due to unstable installation conditions of the frame and the door's weight.

The OL 366 slide rail ensures parallel and uniform gap dimensions between door and frame when the door is closed. The OL 366 slide rail can be removed or inserted without tools in no time.

When the OL 366 slide rail is inserted, a slight amount of force is required to close the door.

power supply



Power is supplied to the door via the OL 491 connecting cable. First insert the door into the frame and fix it in place using the upper hinge pin OL 363 and two cylinder screws M5x10. Then push the round plug of connecting cable OL 491 through the drill hole in the hinge pin and connect it to the power supply unit installed in the door.

TI-OL-1.7 E-000639-0010A-T01 A In Bearbeitung