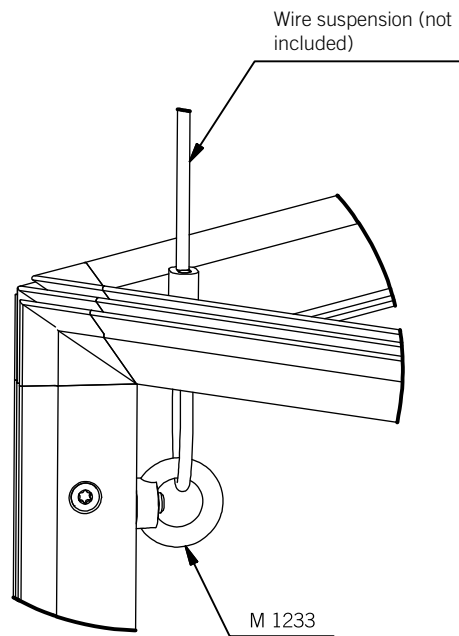
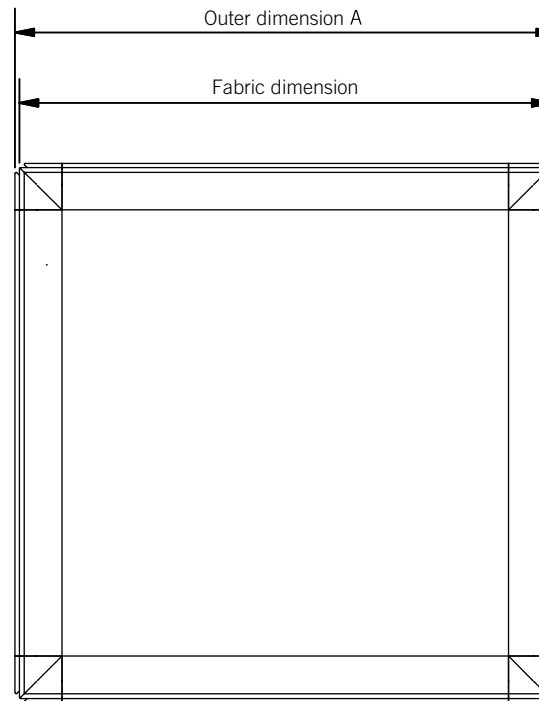


Wire suspension

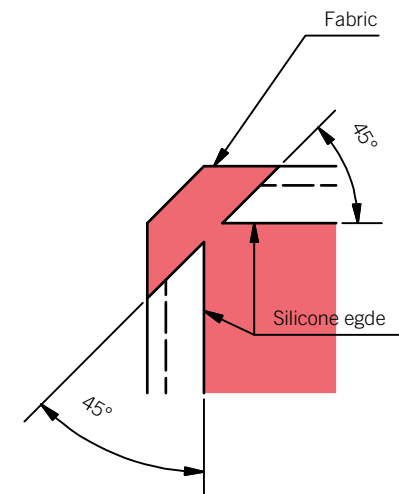


Fabric dimensions



Fabric dimensions = Outer dimensions A - 4 mm

Fabric fitting



The silicone edges have to be cut at a 45° angle at both ends