

1. Description:

This LED signal dimmer has AC 85–265 V input/output and generates 0–5 V analog signals. With our T1 wireless remote you can control the LED lamps by radio and adjust the signals. Easy to install and comfortable to use, the dimmer comes with a clear and modern design.



2. Specifications

Dimmer R1 PWM 5V

- Input Voltage: AC 85–265 V
- Output Voltage: AC 85–265 V
- Max. Output Current: 10 A
- Max. Output Signal Current: 40 mA
- Output Signal: PWM 5V Signal
- Working Temp.: -30°C–55°C
- Dimensions: L 135 × W 30 × H 20 mm
- Weight: 48 g

Remote Control T1 wireless

- Working Voltage: 3 V (CR2032)
- Working Frequency: 433.92 MHz
- Remote Distance: 40–50 m
- Working Temp.: -20°C–55°C
- Dimensions: L 106 × W 56 × H 9 mm
- Weight: 40 g

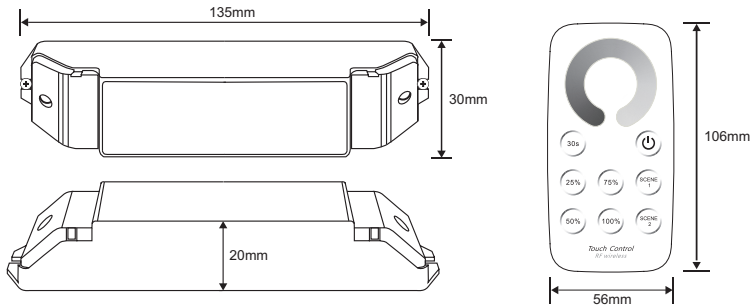
3. Basic Features

- The receiver automatically adapts to AC 85–265 V working voltage.
- The receiver has an AC input, isolation power supply and dimming function.
- The radio signal of the RF remote control is very strong, independent of direction and/or obstacles.
- Simple, modern design, easy handling.
- 25%, 50%, 75%, 100% – 4 brightness shortcuts and 2 DIY modes for fast dimming.
- Memory function in case of power failure.

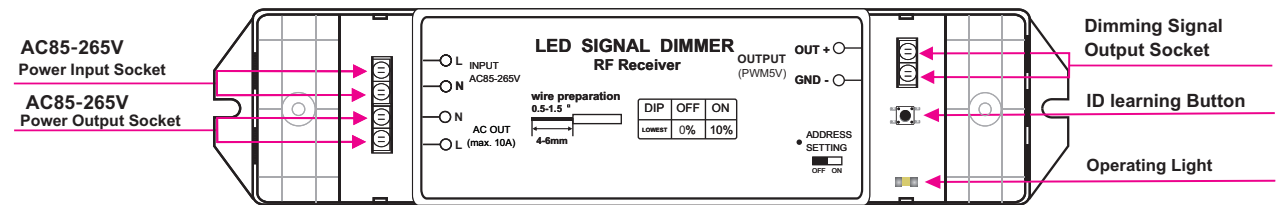
4. Safety Warnings

- To ensure proper use and safety, please read this manual carefully before installation.
- Do not use the controller in areas of intense magnetic and high voltage fields.
- To minimize the risk of short circuit damage or fire to the components, please ensure a proper connection.
- Only install the unit in a well ventilated and appropriately tempered environment.
- Only connect the cables when the device is switched off; check the device for correct connection or short circuit before putting it into operation.
- If problems occur, do not open the controller and do not operate it any more!
- This manual is for this model only and may be updated without prior notice.

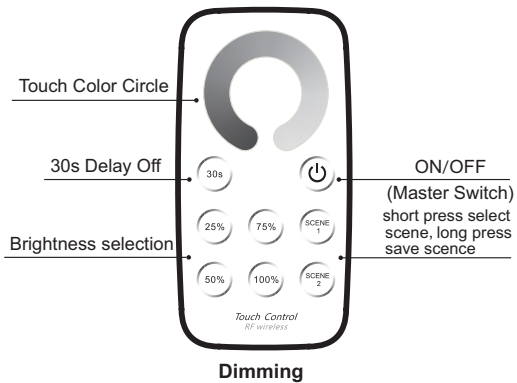
5. Dimensions



6.1 Operating Instructions Receiver



6.2 Operating Instructions Wireless Remote Control



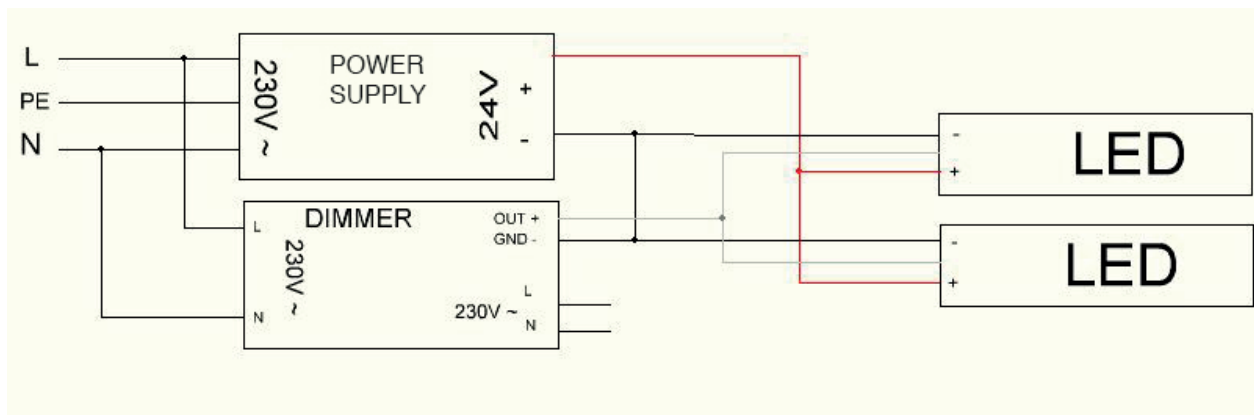
The learning ID method of remote control

The remote control was set to the receiver before shipment. If you have accidentally deleted the setting, you can program it again as follows:

- Learning ID: Press the ID learning button on the receiver until the power light is on. Then press any key on the remote control until the operating light flashes several times. Done.
- Cancel ID: Press the ID learning button on the receiver for 5 seconds

- After 30 seconds without operation, the remote control automatically switches to sleep mode. Press any key to reactivate it.

7. Wiring Instructions



➤ The dimmer automatically cuts off the output voltage when the brightness signal is 0% and stops the power supply to the dimmer. Thanks to this function, it is possible to switch off the dimmer via the dimming signal.

8. After Sales Service

If used according to the instructions, we offer free repair or replacement services for our products for up to 2 years after the date of purchase. Excluded from this are:

- Any errors and damages caused by faulty operation
- Any damages caused by inappropriate power supply or voltage deviation
- Any damages caused by unauthorized removal, maintenance, circuit alteration, incorrect connection and chip replacement
- Any damages caused by transportation, breakage and water after purchase
- Any damages caused by earthquakes, fire, flooding, lightning, etc. (natural disasters and force majeure)
- Any damages caused by negligence, inappropriate storage at high temperatures, in humid environments or near harmful chemicals