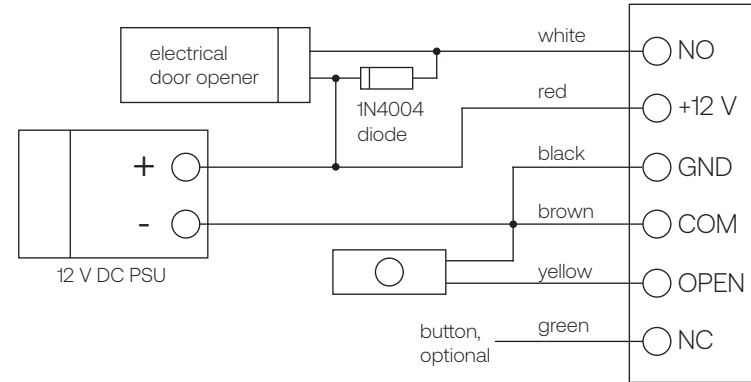


1. Features

Memory capacity ➤ RFID Type	2000 transponder 13,65 MHz MIFARE - 1225 kHz EM 4100 / 4102 / 4200 HID Proximity
Supply voltage ➤ Power consumption	12 V DC voltage (9–18 VDC) < 40 mA
Contactless RFID transponder ➤ Technology ➤ Read Range	125 kHz resp. 13,65 MHz proximity transponder 1–8 cm (depending on transponder model)
External wiring	Floating changeover relays, external button
Relais ➤ Adjustable switching time ➤ Loading of relais contacts	Floating changeover relays 1–99 seconds (5 sec. standard) or continuous operation up to 2 A
Protection class ➤ Working temperature range	IP65 –40°C to 60°C
Material ➤ Dimensions ➤ Weight	ABS 102 × 48 × 20 mm 110 g

2. Cabling



Wire Color	Function	Description
Red	Power +	9–18 V stabilized DC voltage
Black	GND	Ground 0 V
White	NO	Relais output working current (normally open)
Brown	COM	Common relais input
Green	NC	Relais input standby current (normally closed)
Yellow	OPEN	Optional button input

### 3. General information:

- **IR Remote Control:** for programming your access system. Hold remote towards the LED display of the reading device, distance < 0,3 m
- **User ID Number:** Please allocate individual ID numbers to the users of the system so as to be able to assign the corresponding memory space in the event of the loss of a transponder. A user ID can be any number between 1 and 2000. PLEASE NOTE: Do not use leading zeros!
- **Transponder:** The transponder number is the unique internal 8-digit UID (WEG26)
- **Manager Cards:** The two manager cards (Add Card=flash card and Delete Card) are already stored in the device

### 4. Programming via Manager Cards:

#### Add User Transponder

- Hold Manager Add Card in front of reader (green LED on)
- Hold user transponder in front of reader (data is stored on the next available free space, user ID)
- To finalise operation, hold Manager Add Card in front of reader again (green LED off)

#### Delete User Transponder

- Hold Manager Delete Card in front of reader (green LED on)
- Hold user transponder in front of reader (data is deleted)
- To finalise operation, hold Manager Delete Card in front of reader again (green LED off)

### 5. Programming via Remote Control:

#### ➤ Start and exit programming mode

Programming Steps	Key Combination
Start programming	*(Manager Code)# Factory settings 123456
Quit programming	*

#### ➤ Add user (4 Variants)

Programming Steps	Key Combination
Start programming	*(Manager Code)#
automatic allocation of next available user ID	1 (hold transponder in front of reader) # Any required number of transponders can be programmed in sequence
choose individual user ID	1 (user ID) # (hold transponder in front of reader) # User ID can be any number between 1 and 2000.
via transponder number	1 (enter 8-digit transponder number) #
en-bloc storage (allows you to save up to 2000 transponders in one step)	1 (enter user ID) # (quantity) # (first transponder number) # Transponder numbers must be available in ascending order. Quantity = number of transponders to be programmed.
Quit programming	*

➤ Delete users (4 variants)

Programming Steps	Key Combination
Start programming	*(Manager Code)#
via read mode	2 (hold transponder in front of reader) # Any required number of transponders can be deleted in sequence
via user ID	2 (user ID) # User ID can be any number between 1 and 2000.
via transponder number	2 (enter 8-digit transponder number) #
delete all transponders	2 (Manager Code) #
Quit programming	*

➤ Change of Manager Codes

Programming Steps	Key Combination
Start programming	*(Manager Code)#
Assign new Manager Code	0 (new Manager Code) # (new Manager Code) #
Quit programming	*

➤ Functions of relays

Programming Steps	Key Combination
Start programming	*(Manager Code)#
Change switching time of relays (dynamic)	3 (1-99) # The relays switching time can be 2 to 99 seconds, 1 = 50 ms (factory setting is 5 seconds) [S2-MI: 4 (1-99) #]
Continuous operation (static)	3 0 # [S2-MI: 4 (1-99) #] The relays is turned ON/OFF upon transponder recognition and retains its setting until the next recognition.
Quit programming	*

➤ Alarm Signalling

Programming Steps	Key Combination
Start programming	*(Manager Code)#
Blocking time OFF	4 0 # (factory settings) [S2-MI: 7 0 #]
Blocking time ON	4 1 # 10 minutes blocking time [S2-MI: 7 1 #]
Blocking alarm ON	4 2 # [S2-MI: 7 2 #]
Set alarm in minutes	5 (0-30) # (factory setting 1 minute)
Quit programming	*

Blocking time will be activated for 10 minutes after 10 failed attempts (red LED flashing fast). The acoustic blocking alarm can be set for up to 30 minutes. Hold a valid transponder in front of reader to turn off the alarm or enter the Manager Code followed by #

➤ **Optical an audible Signalling**

Programming Steps	Key Combination
Start programming	*(Manager Code)#
LED settings	OFF = 6 1 #                      ON = 6 2 #
Acoustic signal settings	OFF = 6 3 #                      ON = 6 4 #
Quit programming	*

**6. User functions:**

- **Open door:** Hold valid transponder in front of reader (The relais picks up for the set time)
- **Stop alarm:** Hold valid transponder in front of reader or use remote control: Manager Code #

**7. Factory settings without Manager Cards:**

- Turn off supply voltage
- Connect Yellow and Black wires (key fuction open) and turn on supply voltage
- Remove Yellow wire after 2 signals (LED display switches to yellow)
- Wait 10 seconds until LED switches to red (successful reset to factory settings )

PLEASE NOTE: All settings are reset. Stored transponders are retained.

**8. Factory settings with Manager Cards:**

- Turn off supply voltage
- Connect Yellow and Black wires (key fuction open) and turn on supply voltage
- Remove Yellow wire after 2 signals (LED display switches to yellow)
- Hold Manager Add Card in front of reader irst, then Manager Delete Card
- LED switches to red (successful reset to factory settings )

PLEASE NOTE: All settings are reset. Stored transponders are retained.

Status	LED	Buzzer
Operation	Red LED illuminated	-
In programming mode	Red LED flashes	one sound
During programming	Yellow LED illuminated	one sound
Malfunction	-	three sounds
Quit programming mode	Red LED illuminated	one sound
Relais ON	Green LED illuminated	one sound
Alarm	Red LED flashes rapidly	tone intervals