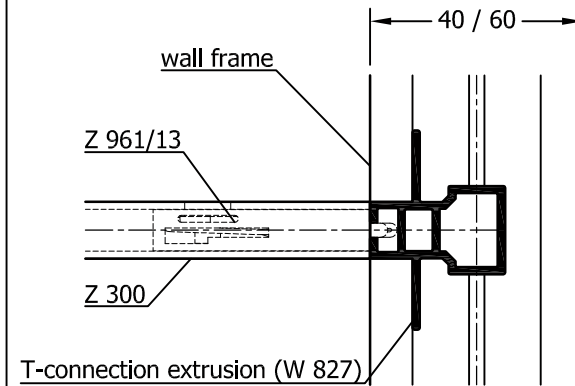


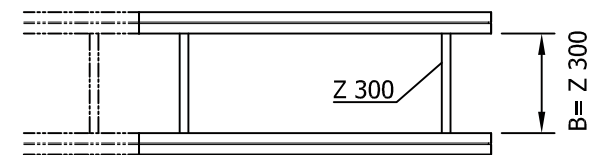
connection of beam



*T-connection extrusion:

octawall 40 / panel: W 905
 octawall 40 / fabric: W 903

octawall 60 / panel: W 827
 octawall 60 / fabric: W 822



length Z 300 = clear opening between wall frames "B"