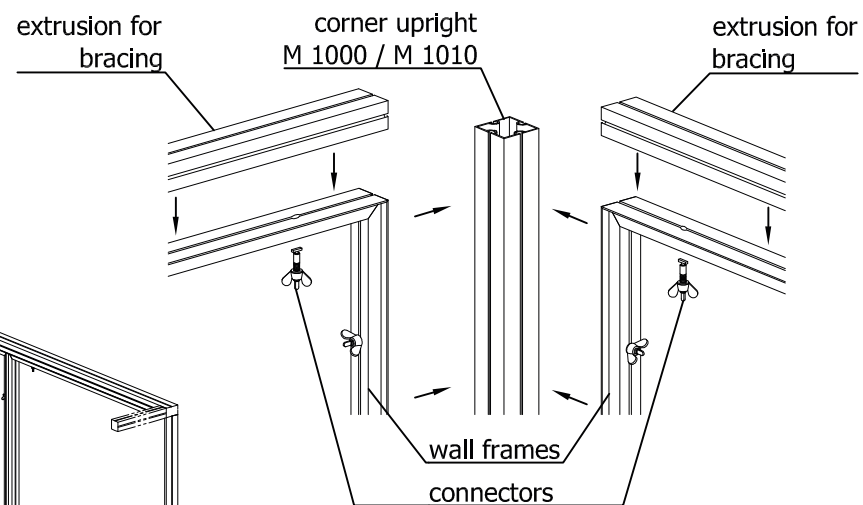
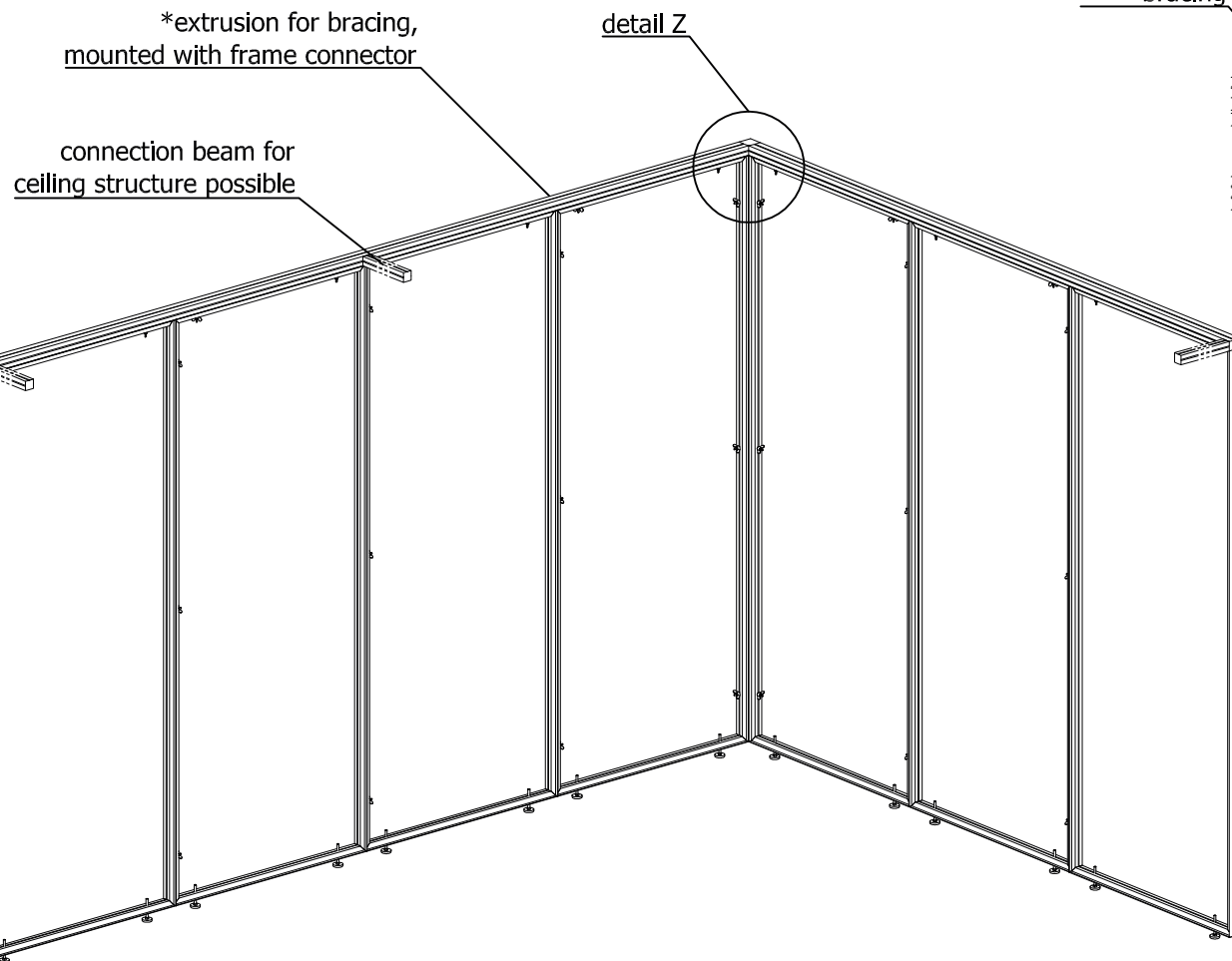
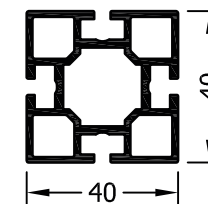
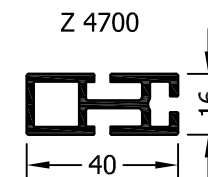


detail Z



\* extrusion for bracing:  
octawall 40 : M 1000, Z 4700



TIMB-OW-5.0 E-000408-0020A-T01 05.07.11/RE - 11/2011 shift