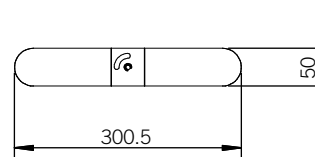
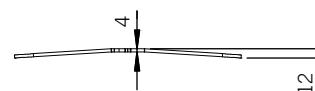
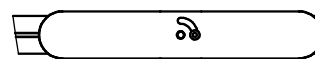
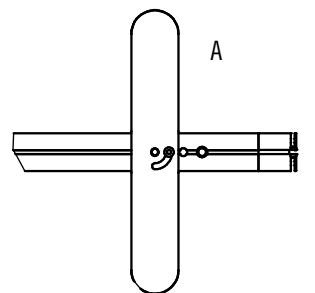
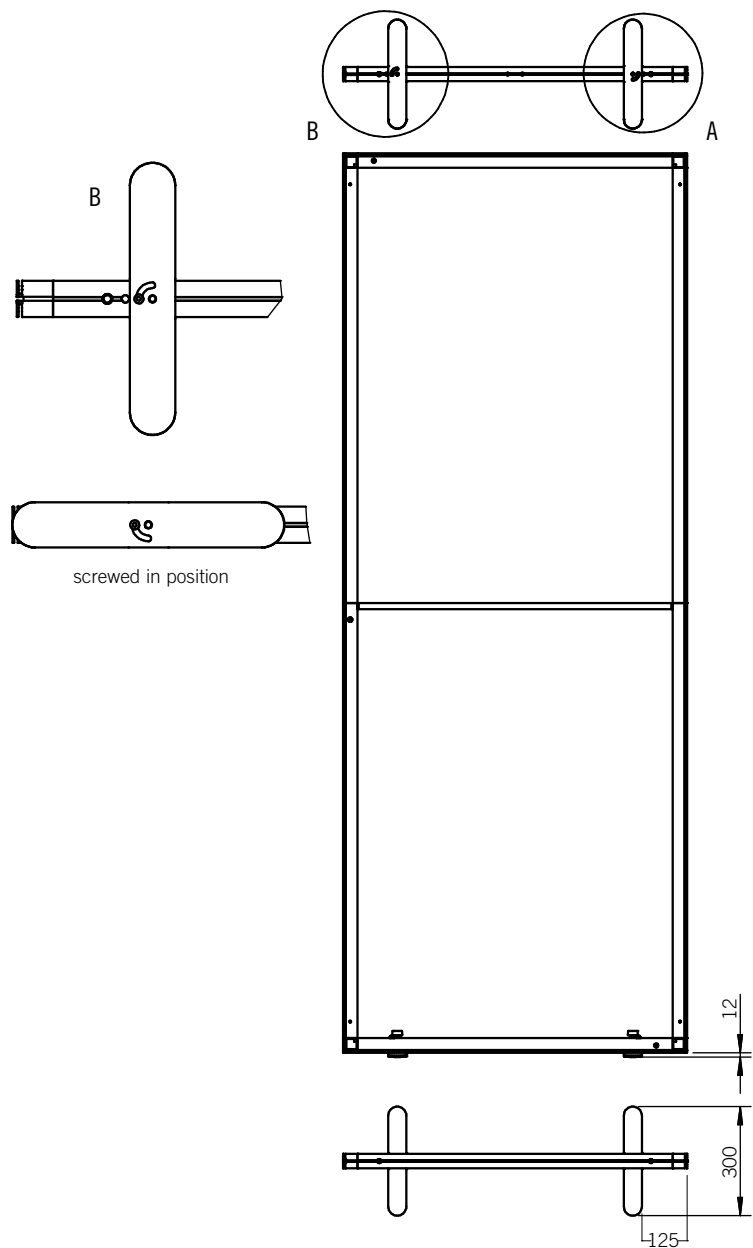


octawall 40 toolless rotatable foot plate M 1956

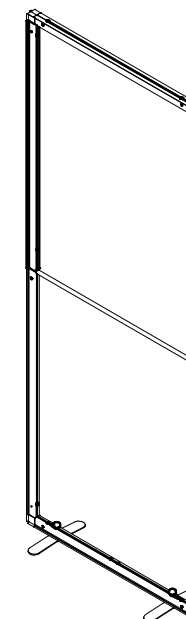
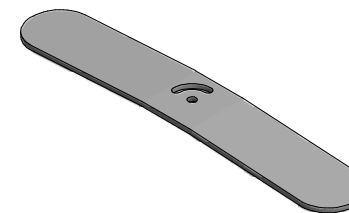
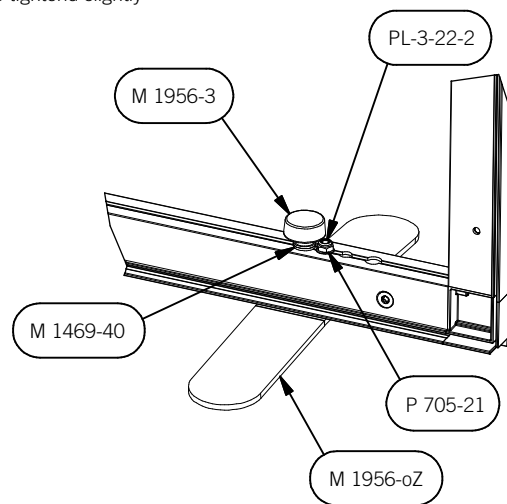
TI-OW-6.1

technical information



M 1956-oZ to screw in

Screw M 1956-20 with nut PL-3-22-2
don't tighten too hard -
knurled head screw M 1956-3 with
2 washers M 1469-40 tightend slightly



TI-OW-6.1