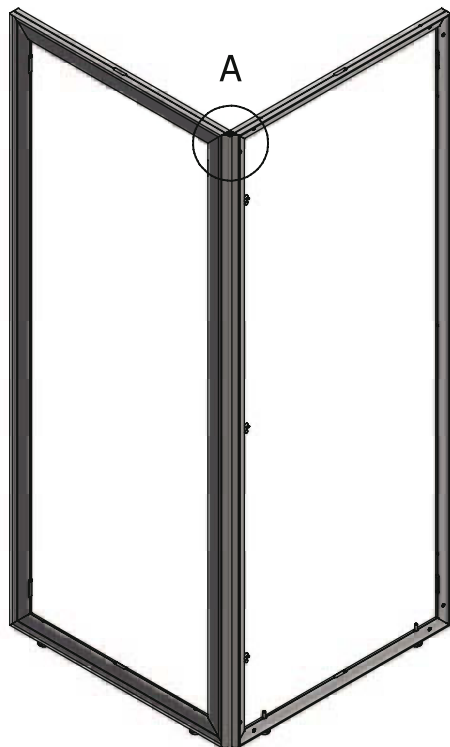
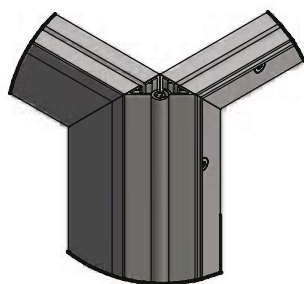
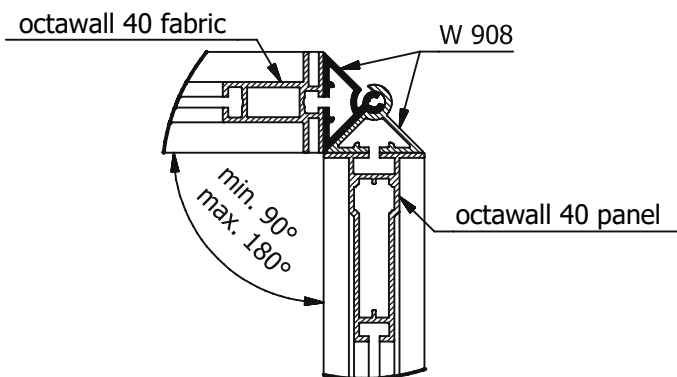


Hinge extrusion W 908 with octawall 40

Detail A

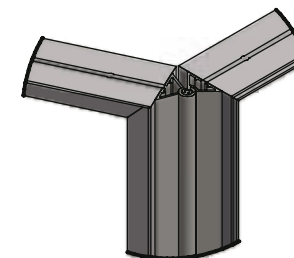


section octawall 40



Hinge extrusion W 908 with octawall 60

Detail B



section octawall 60

