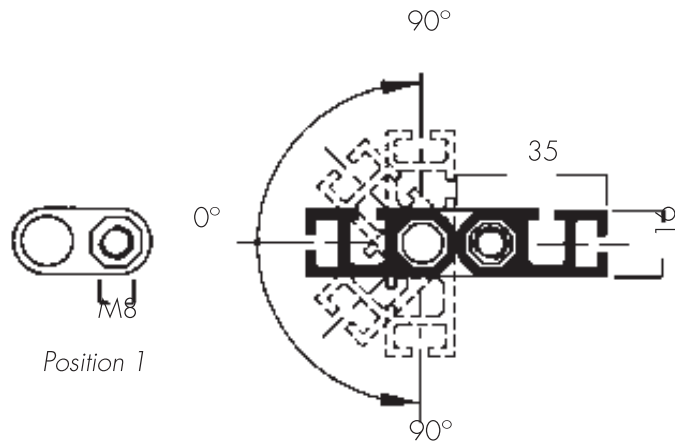


Angle positions

TI-S250-1.0

technical information

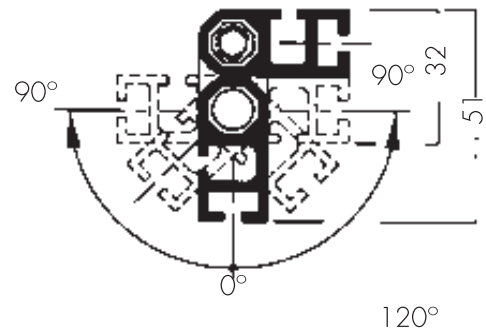
S 260
Hinged
connector



Position 1



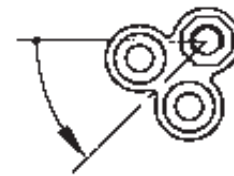
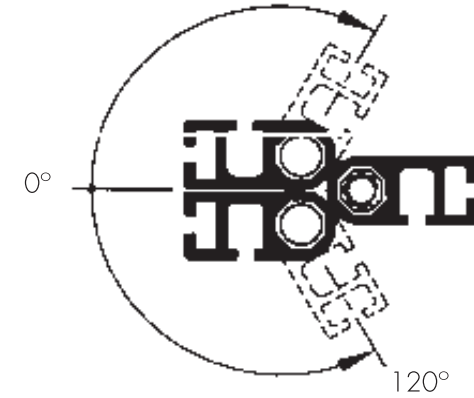
Position 2



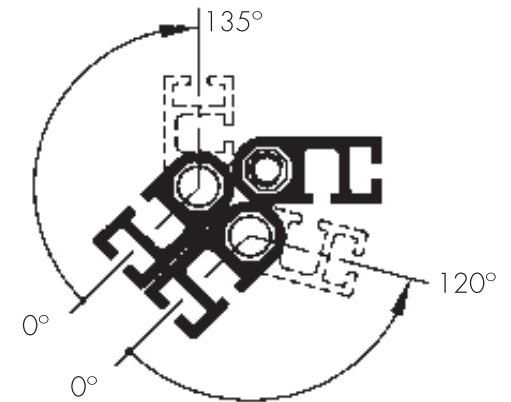
S 263
Hinged
connector



Position 1



Position 2



TI S250-1.0 10.1996 10/05 SHIFT