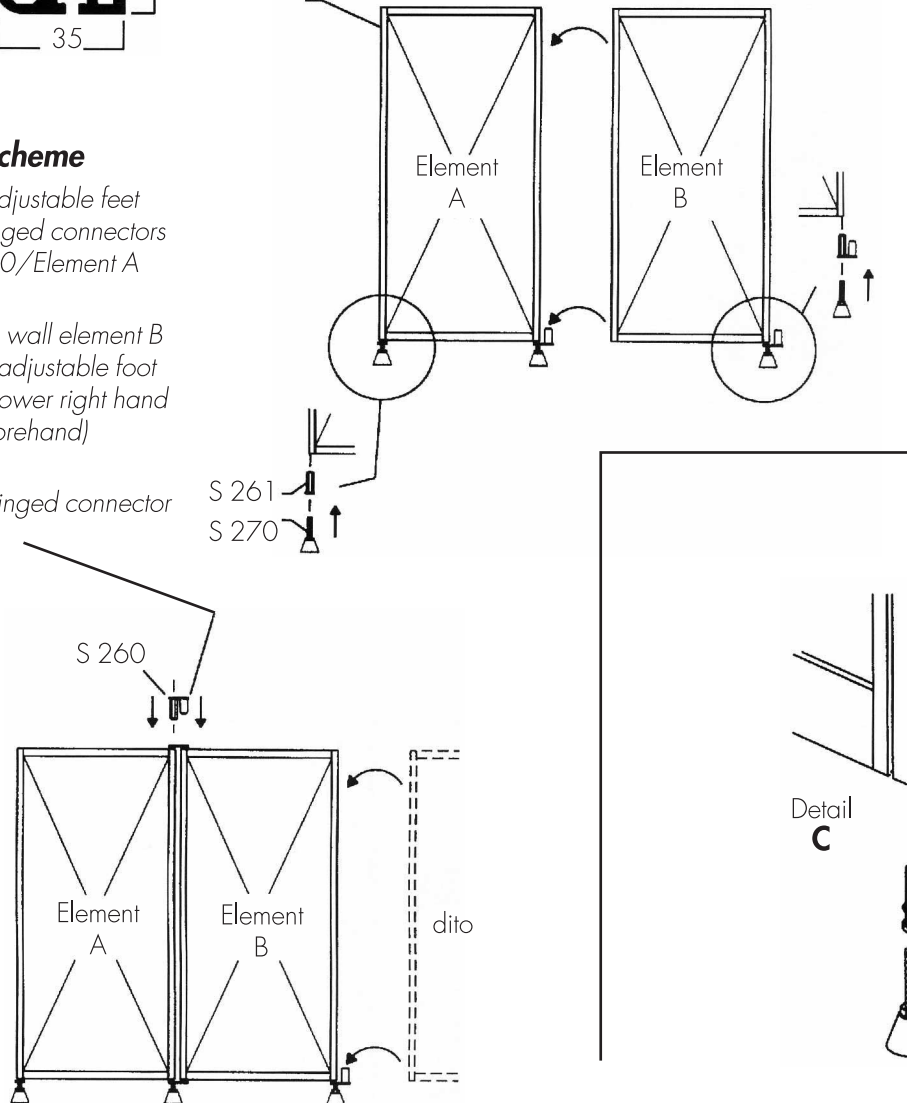




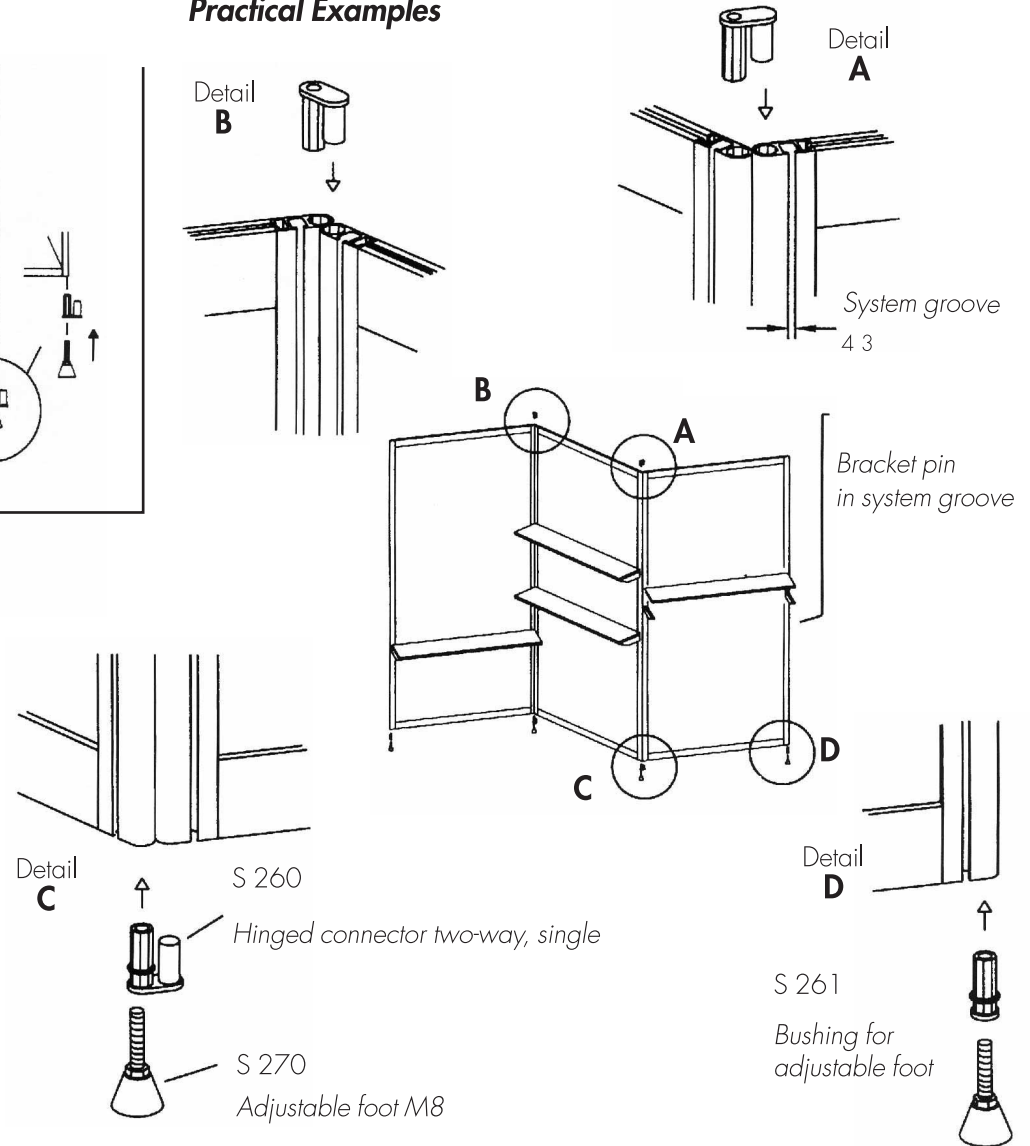
Profile S 250

Set-up scheme

1. Insert adjustable feet and hinged connectors in S 250/Element A
2. Slide in wall element B (mount adjustable foot on the lower right hand side beforehand)
3. Insert hinged connector on top



Practical Examples



TI S250-2.0 04.1997.10/05 SHIFT